

# **Catalina 25 Parts Manual**

## **Preface**

(Added 2006)

---

This PDF version of the parts manual was created in the early 2006 as part of the website rewrite. As best as I can tell, all pages in this document were scanned from the original. Pages in the preface, lettered in Roman Numerals are what the old website had as an introduction.

The original index, which was displayed as a page full of links to the pictures contained herein have been moved to the back of this document as an actual index.

This catalog is a good reference for some of the different options available on the Catalina 25. The part numbers in this catalog might be outdated and many of the parts will no longer be available. But it still has a lot of good information in it.

## Introduction

The Catalina 25 Parts Catalog is designed to provide an easy and efficient way for dealers to order parts. All parts and assemblies are listed alphabetically under six main categories found in the index:

Hull and Deck  
Engine  
Spars, Rigging, Sails  
Plumbing  
Interior  
Electrical

Refer to the page number in the right hand column to locate the part in the main body of the catalogue.

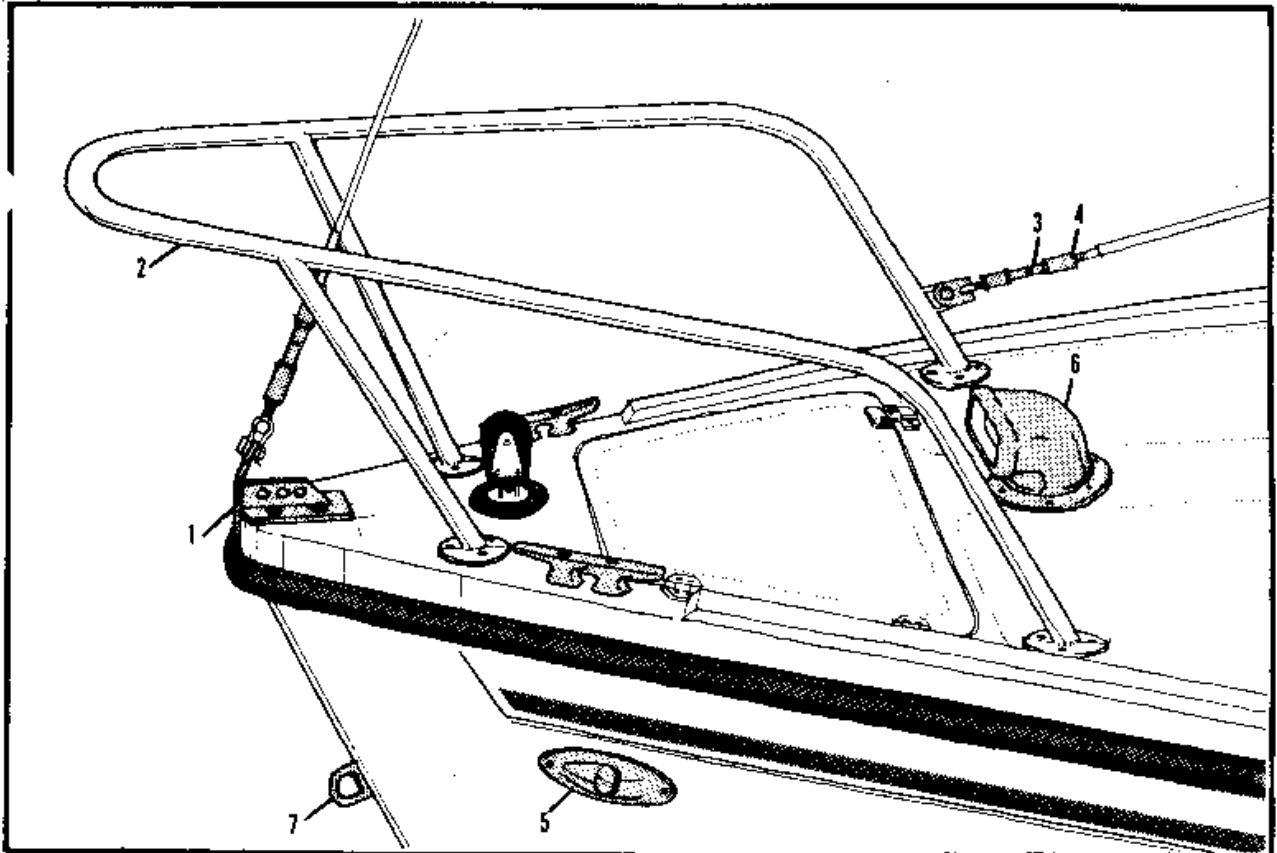
The parts illustrated are assigned a reference number. If the part is not shown, then it is listed in close proximity to the other related parts.

Fastener Kits, indicated by the suffix "P" are listed below each part. Each kit consists of all the fasteners needed for fastening one part only.

In the two right hand columns on the page, the total number of parts required for each standard boat is listed under "standard," if the part is an option the total number needed for the installation of the option is listed under "option".

- (1) Give Full Part Number of Part and/or Fastener Kit.
- (2) Give the number of Parts requested.
- (3) Specify color when necessary.

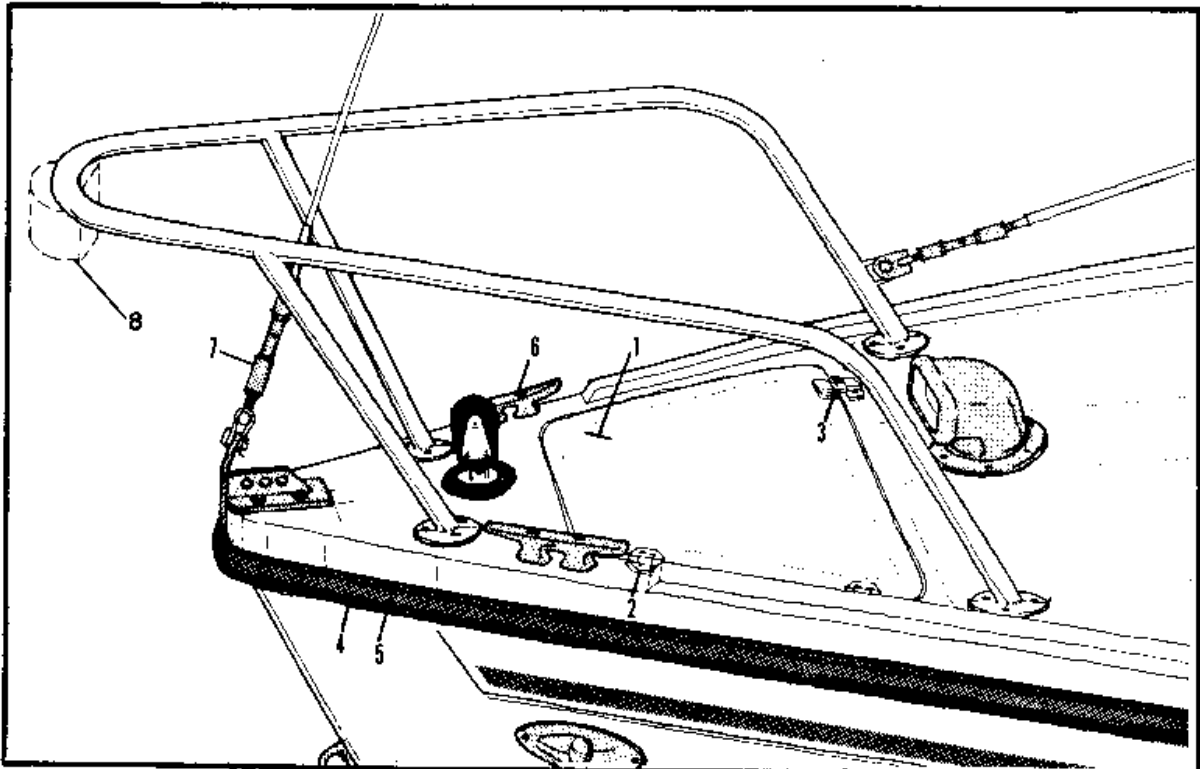
All parts orders must be in writing, on company purchase orders or stationery, include purchase order number on all correspondence.



Ref.	Part Number	Description	std.	qty
1	E 22 08 01 900	BOW PLATE, S.S.	1	1
	E 22 08 01F	FASTENER KIT: (4) 3/8"-16 x 1-1/2" SLOT. RHMS, S.S.	1	1
		(4) 3/8" FLAT WASHER, S.S.		
		(4) 3/8" LOCK WASHER, S.S.		
		(4) 3/8"-16 HEX NUT, S.S.		
		(1) 5/16"-18 x 2" SLOT, RHMS, S.S.		
		(1) 5/16" FLAT WASHER, S.S.		
		(1) 5/16" LOCK WASHER, S.S.		
		(1) 5/16"-18 HEX NUT, S.S.		
2	E 28 01 01 610	SINGLE RAIL BOW PULPIT, S.S.	1	1
	E 28 01 01F	FASTENER KIT: (12) 1/4"-20 x 2" SLOT, RHMS, S.S.	1	1
		(12) 1/4" FLAT WASHER, S.S.		
		(12) 1/4" LOCK WASHER, S.S.		
		(12) 1/4"-20 HEX NUT, S.S.		
3	E 28 01 09 900	1/4"-20 LIFELINE TURNBUCKLE, S.S.	2	2
4	E 28 01 11 740	1/4"-20 LOCK NUT FOR LIFELINE TURNBUCKLE, S.S.	2	2
	E 74 01 01 497	STARBOARD RUNNING LIGHT, GREEN	1	1
5	E 74 01 03 497	PORT RUNNING LIGHT, RED	1	1
	E 74 01 05 100	RUNNING LIGHT COVER, FIBERGLASS	2	2
	E 74 01 01 05F	FASTENER KIT: (2) #10-24 x 1" SLOT. FHMS, S.S.	2	2
		(2) #10 FLAT WASHER, S.S.		
		(2) #10 LOCK WASHER, S.S.		
		(2) #10-24 HEX NUT, S.S.		
6	E 26 15 00 620	COWL VENT W/FLANGE AND CAP	1	1
	E 26 15 00F	FASTENER KIT: (3) #8 x 3/4" PHIL. PHMS, S.S.	1	1
7	E 22 07 00 910	TRAILER BOW EYE, S.S.	1	1
	E 22 07 00F	FASTENER KIT: (2) 3/8" FLAT WASHER, S.S.	1	1
		(2) 3/8" LOCK WASHER, S.S.		

**Catalina**  **25 PARTS CATALOGUE**

FOREDECK  
BOW PLATE, BOW PULPIT 1.



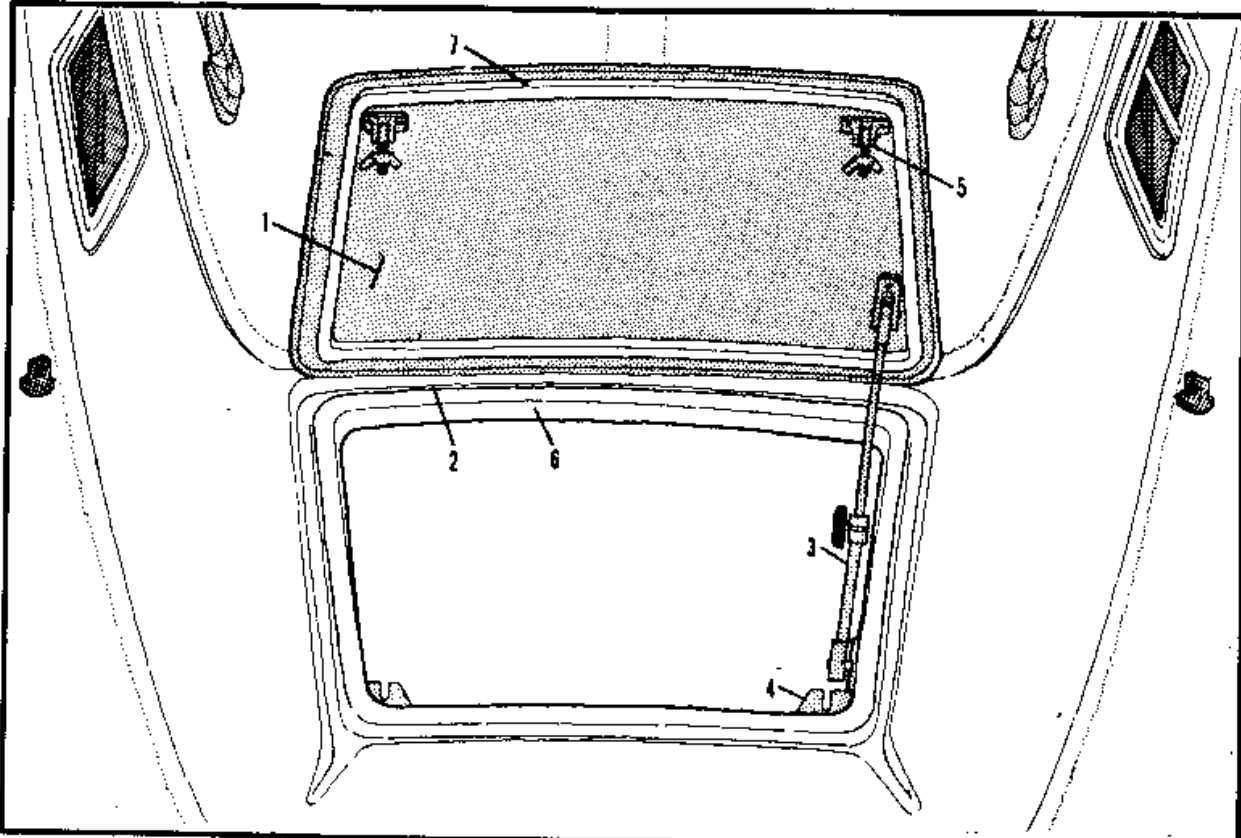
Ref.	Part Number	Description	Std.
1	E26 00 01 100	ANCHOR LOCKER HATCH COVER, FIBERGLASS	1
2	E26 00 03 048	HINGE	2
	E26 00 03F	FASTENER KIT: (3) #10-24 x 1" SLOT. PHMS, S.S.	2
		(3) #10 FLAT WASHER, S.S.	
		(3) #10 LOCK WASHER, S.S.	
		(3) #10-24 HEX NUT, S.S.	
		(2) #10 x 1" SLOT. OHSMS, S.S.	
3	E26 00 05 630	HATCH BOLT	1
	E26 00 05F	FASTENER KIT: (4) #6-32 x 1" SLOT. PHMS, S.S.	1
		(4) #6 FLAT WASHER, S.S.	
		(4) #6 LOCK WASHER, S.S.	
		(4) #6-32 HEX NUT, S.S.	
		(2) #10 x 1" SLOT. OHSMS, S.S.	
	E26 00 07 920	GASKET TAPE, 1/2" x 1/2" x 76"	1
	E26 00 09 900	ANCHOR LOCKER DRAIN, BRASS	1
	E26 00 00 100	ANCHOR LOCKER ASSEMBLY COMPLETE	1
4	E22 02 01 105	RUB RAIL, 55'-2", 3 SECTIONS PER BOAT	1
	E22 02 01F	FASTENER KIT: (90) #10x1" PHIL. PHMS, S.S.,	
		PER SECTION	
5	E22 03 01 036	BROWN VINYL RUB RAIL INSERT, 55'-2"	1
6	E24 09 00 760	6" MOORING CLEAT, ALUMINUM	4
	E24 09 00F	FASTENER KIT: (2) 1/4"-20x2" SLOT. FHMS, S.S.	4
		(2) 1/4" FLAT WASHER, S.S.	
		(2) 1/4" LOCK WASHER, S.S.	
		(2) 1/4"-20 HEX NUT, S.S.	
7	E32 10 00 900	5/16"-18 TURNBUCKLE, S.S. COMPLETE, TYPICAL FOR 8	8
	E32 10 03 740	RIGHT HAND 5/16"-18 LOCK NUT, S.S.	8
	E32 10 05 740	LEFT HAND 5/16"-18 LOCK NUT, S.S.	8
8	E 74 01 03 033	BOAT LIGHT, NEW STYLE	1
	E 74 01 03F	FASTENER KIT: (4) #10-24x 1/2" R.H.M.S.	1

**Catalina**  
Yachts

**25 PARTS CATALOGUE**

FOREDECK  
ANCHOR LOCKER, RUB RAIL

2.



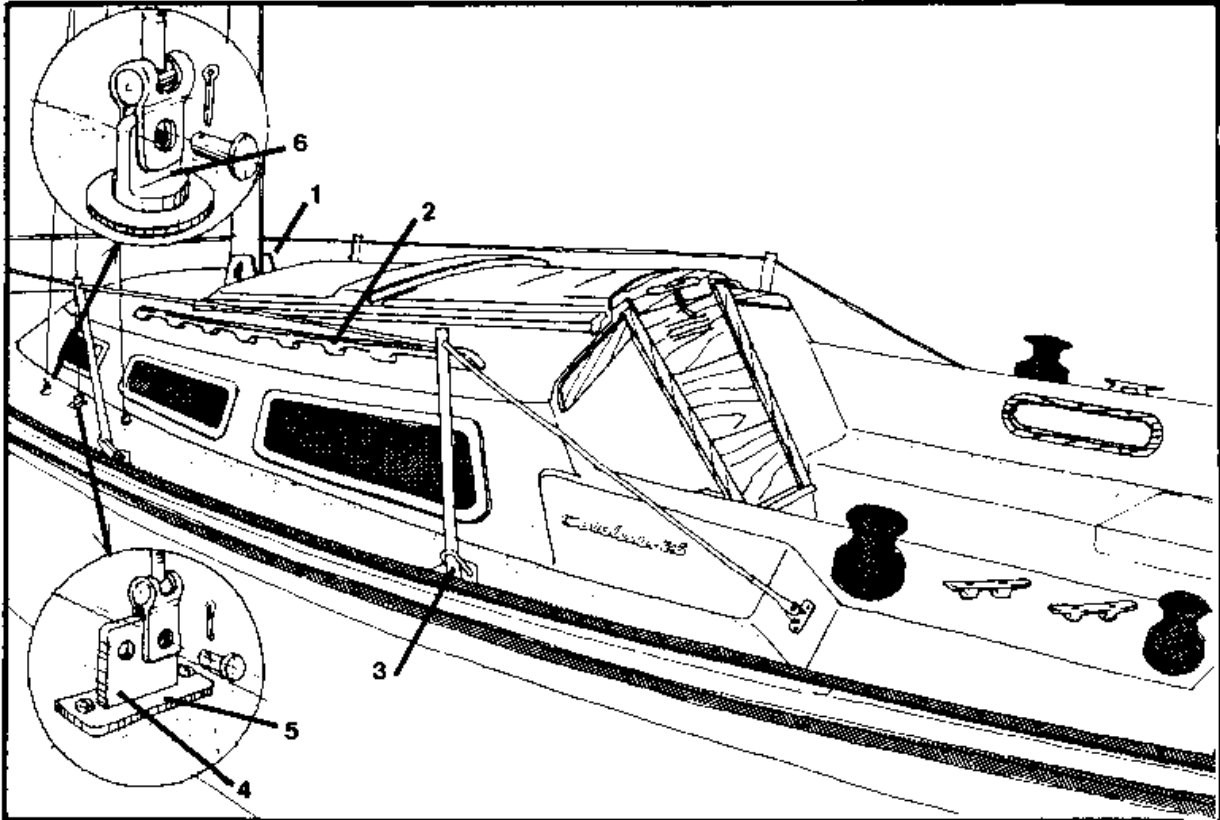
Ref.	Part Number	Description	Std Op
1	E26 01 01 100	FORWARD HATCH COVER, FIBERGLASS	1
2	E26 01 03 008	HINGE	2
	E26 01 03F	FASTENER KIT: (3) #10-24x1" SLOT. OHMS, S.S.	2
		(3) #10 FLAT WASHER, S.S.	
		(3) #10 LOCK WASHER, S.S.	
		(3) #10-24 HEX NUT, S.S.	
		(3) #10 x 1" SLOT. OHSMS, S.S.	
3	E26 01 05 497	HATCH ADJUSTER	1
	E26 01 05F	FASTENER KIT: (2) #6-32 x 1" SLOT. PHMS, S.S.	1
		(2) #6 FLAT WASHER, S.S.	
		(2) #6 LOCK WASHER, S.S.	
		(2) #6 FINISH WASHER, S.S.	
		(2) #6-32 HEX NUT, S.S.	
		(2) #8 x 3/4" PHIL. PHSMS, S.S.	
4	E26 01 11 493	HATCH DOG PLATE, S.S.	2
	E26 01 11F	FASTENER KIT: (3) #8 x 3/4" PHIL. PHSMS, S.S.	2
5	E26 01 09 613	HATCH DOG, CHROME PLATED	2
	E26 01 09F	FASTENER KIT: (2) #6-32 x 1" SLOT. PHMS, S.S.	2
		(2) #6 FLAT WASHER, S.S.	
		(2) #6 LOCK WASHER, S.S.	
		(2) #6 FINISH WASHER, S.S.	
		(2) #6-32 HEX NUT, S.S.	
6	E26 01 12 012	MOLDING TRIM, WHITE VINYL, 78"	1
	E26 01 12F	FASTENER KIT: (14) #8 x 3/4" PHIL. PHSMS, S.S.	1
7	E26 01 13 920	GASKET TAPE, 1/2" x 1/2" x 82"	1
	E26 01 00 100	FORWARD HATCH ASSEMBLY COMPLETE	1

**Catalina**  
Yachts

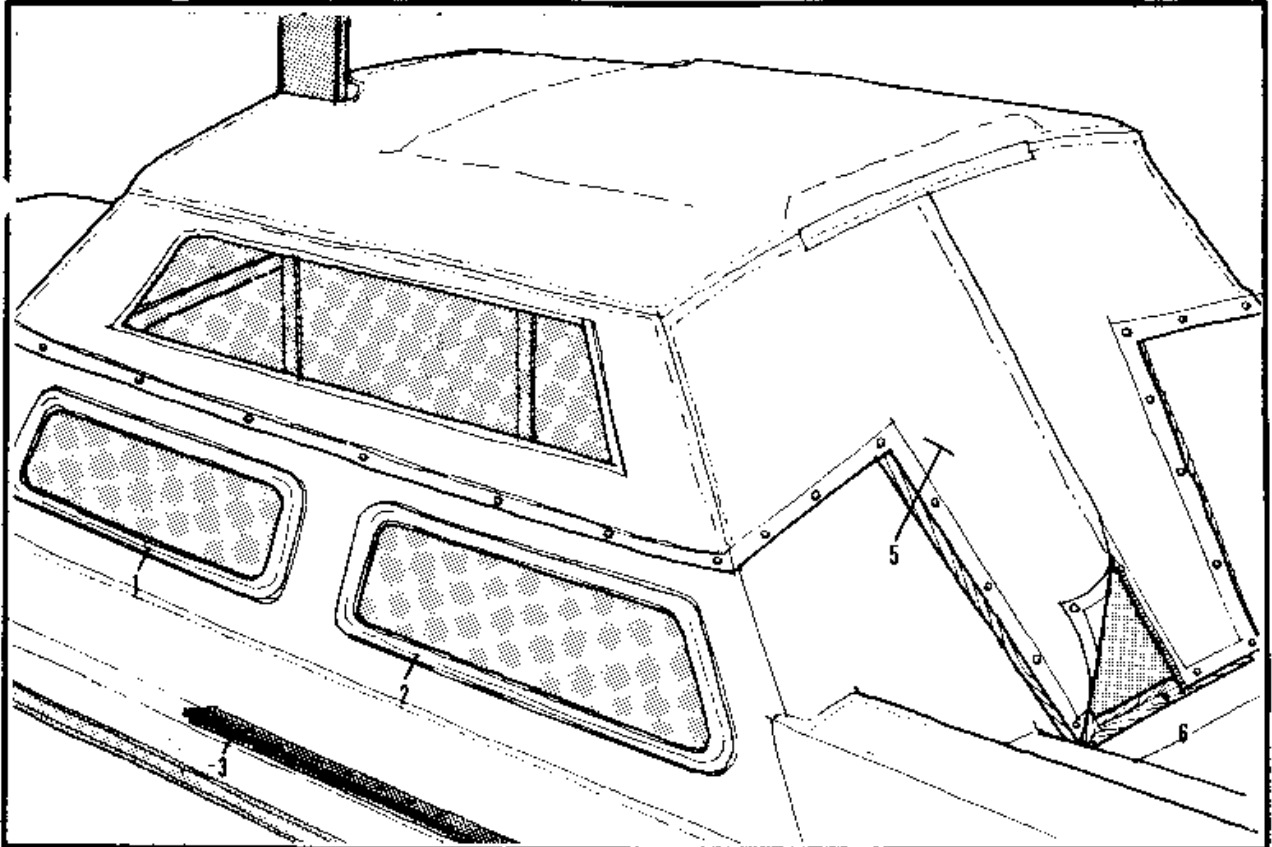
**25 PARTS CATALOGUE**

FOREDECK  
FORWARD HATCH ASSEMBLY

3.

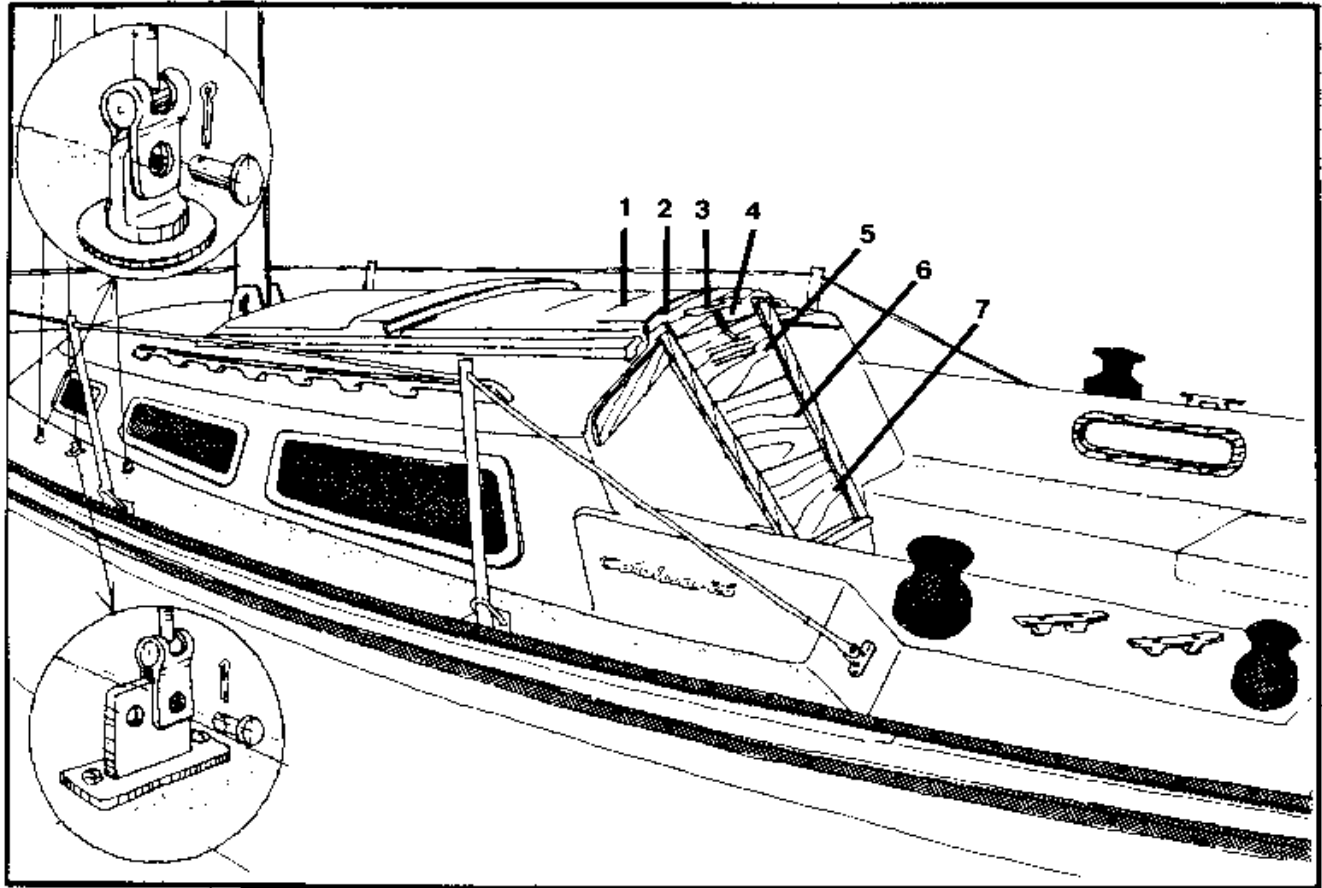


Ref.	Part Number	Description	std	opt
1	E24 06 00 900	PIVOTING MAST STEP, S.S.	1	
	E24 06 00F	FASTENER KIT: (4) #16 x 1-1/4" SLOT. FHWS, S.S.	1	
2	E24 11 00 285	TEAK HANDRAIL, 6'-0"		2
	E24 11 00 F	FASTENER KIT: (8) #10 x 2" SLOT OHSMS, S.S.		2
		(8) #10 FINISH WASHER, S.S.		
3	E28 01 03 610	SINGLE LIFELINE STANCHION, S.S.	6	
	E28 01 03F	FASTENER KIT: (4) 1/4"-20 x 2" SLOT. RHMS, S.S.	6	
		(4) 1/4" FLAT WASHER, S.S.		
		(4) 1/4" LOCK WASHER, S.S.		
		(4) 1/4"-20 HEX NUT, S.S.		
4	E22 09 01 900	PORT MAIN CHAINPLATE, S.S.	1	
	E22 09 02 900	STARBOARD MAIN CHAINPLATE, S.S.	1	
	E22 09 01-02F	FASTENER KIT: (4) 5/16"-18x1-1/2" SLOT. FHMS, S.S.	2	
		(4) 5/16" FLAT WASHER, S.S.		
		(4) 5/16" LOCK WASHER, S.S.		
		(4) 5/16"-18 HEX NUT, S.S.		
5	E22 09 03 900	MAIN CHAINPLATE COVER, S.S.	2	
	E22 09 03F	FASTENER KIT: (4) #8 x 3/4" PHIL. PHSMS, S.S.	2	
6	E22 10 01 512	LOWER SHROUD 3/8"-16 x 2" CHAINPLATE EYEBOLT	4	
	E22 10 03 900	BACK UP PLATE, S.S.	4	
	E22 10 01-03F	FASTENER KIT: (1) 3/8" FLAT WASHER, S.S.	4	
		(1) 3/8" LOCK WASHER, S.S.		
		(1) 3/8"-16 HEX NUT, S.S.		

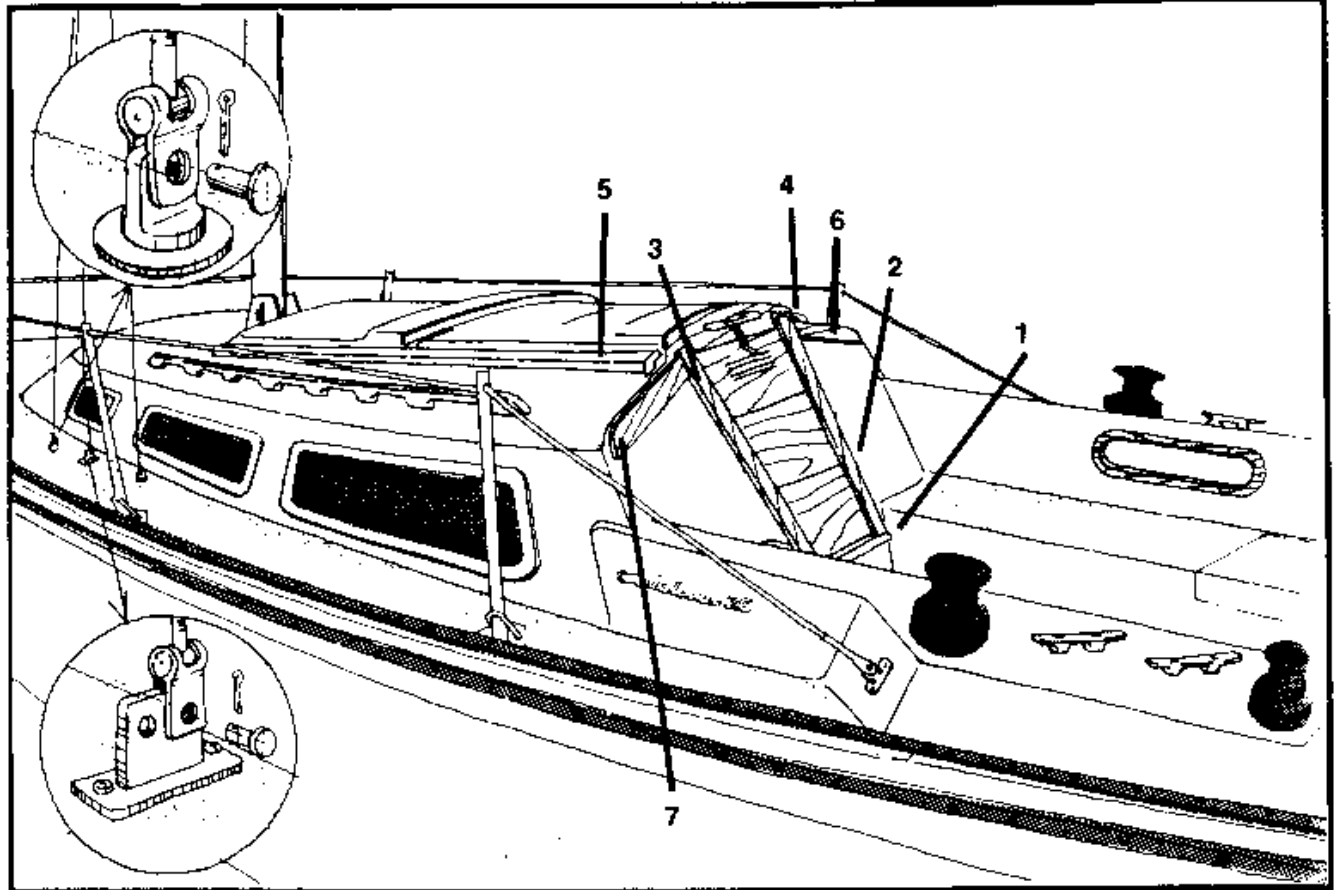


Ref.	Part Number	Description	std	opt
	E26 14 00 460	OPENING PORT WINDOW W/FRAME		1
	E26 14 00F	FASTENER KIT: (12) #8 x 3/4" PHIL. PHSMS, S.S.		1
	E26 13 01 460	FORWARD PORT WINDOW W/FRAME	1	
	E26 13 03 460	FORWARD STARBOARD WINDOW W/FRAME	1	
	E26 13 01-03F	FASTENER KIT: (12) #8 x 3/4" PHIL. PHSMS, S.S.	2	
1	E26 13 05 460	MIDDLE PORT WINDOW W/FRAME	1	
	E26 13 07 460	MIDDLE STARBOARD WINDOW W/FRAME	1	
	E26 13 05-07F	FASTENER KIT: (16) #8x 3/4" PHIL. PHSMS, S.S.	2	
2	E26 13 09 460	AFT PORT WINDOW W/FRAME	1	
	E26 13 11 460	AFT STARBOARD WINDOW W/FRAME	1	
	E26 13 09-11F	FASTENER KIT: (17) #8 x 3/4" PHIL. PHSMS, S.S.	2	
	E26 13 00 460	COMPLETE SET OF FIXED WINDOWS	1	
3	E23 06 00 900	GENOA TRACK 14'-0" x 1" TRACK	2	
	E23 06 00F	FASTENER KIT: (42) 1/4"-20 x 2" SLOT. PHMS, S.S.	2	
		(42) 1/4" FLAT WASHER, S.S.		
		(42) 1/4" LOCK WASHER, S.S.		
		(42) 1/4"-20 HEX NUT, S.S.		
		(1) #12 FINISH WASHER, S.S.		
4	E34 01 07 725	GENOA SINGLE BLOCK W/CAR	2	
5	E26 09 00 390	POP TOP ENCLOSURE CURTAIN		1
6	E26 09 01 600	MALE BUTTON, FOR ENCLOSURE CURTAIN		34

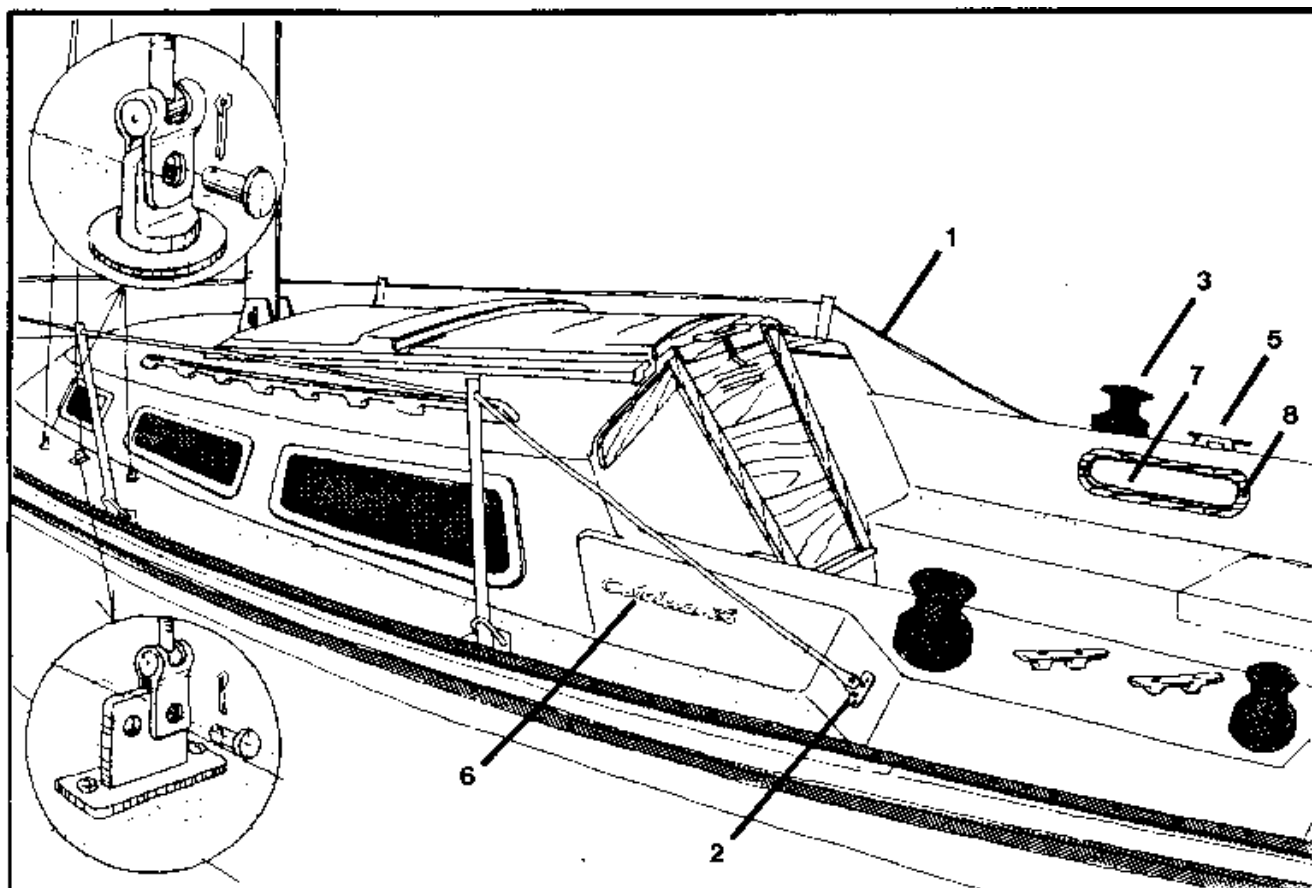




Ref.	Part Number	Description	std	opt
1	E26 03 00 100	MAIN HATCH ASSEMBLY, COMPLETE		
	E26 03 03 100	SLIDING HATCH, FIBERGLASS, FOR STANDARD HATCH ONLY	1	
	E26 07 21 100	SLIDING HATCH, FIBERGLASS, FOR POP TOP ONLY		1
2	E26 03 07 285	TEAK WEATHERBOARD FOR STANDARD HATCH ONLY	1	
	E26 03 07F	FASTENER KIT: (9) #10 x 3/4" PHIL. PHSMS, S.S.	1	
	E26 07 23 285	TEAK WEATHERBOARD, FOR POP TOP ONLY		1
	E26 07 23F	FASTENER KIT: (9) #10 x 3/4" PHIL, PHSMS, S.S.		1
3	E26 03 11 285	MAIN HATCH HANDLE	1	
	E26 03 11F	FASTENER KIT: (2) #10 x 2" SLOT. OHSMS, S.S. (2) #10 FINISH WASHER, S.S.	1	
4	E26 03 09 497	HASP AND EYE, CHROME PLATED	1	
	E26 03 09F	FASTENER KIT: (8) #6 x 3/8" PHIL, PHSMS, S.S.	1	
5	E26 04 01 285	TOP HATCH BOARD, TEAK, FOR STANDARD HATCH ONLY	1	
6	E26 04 03 285	MIDDLE HATCH BOARD, TEAK, FOR STANDARD HATCH ONLY	1	
7	E26 04 05 285	BOTTOM HATCH BOARD, TEAK, FOR STANDARD HATCH ONLY	1	
	E26 04 00 285	COMPLETE SET OF HATCH BOARDS, FOR STANDARD HATCH	1	
	E26 06 01 285	TOP HATCH BOARD, TEAK, FOR POP TOP OPTION	1	
	E26 06 03 285	MIDDLE HATCH BOARD, TEAK, FOR POP TOP OPTION	1	
	E26 06 05 285	BOTTOM HATCH BOARD, TEAK, FOR POP TOP OPTION	1	
	E26 06 00 285	COMPLETE SET OF HATCH BOARDS, FOR POP TOP OPTION	1	
	E26 03 01 100	SEA HOOD, FIBERGLASS, FOR STANDARD HATCH ONLY	1	
	E26 03 01F	FASTENER KIT: (9) #10 x 1" SLOT OHSMS, S.S. (9) #10 FINISH WASHERS, S.S.	1	
	E26 03 02 285	TEAK TRIM, FOR SEAHOOD	1	
	E26 03 02F	FASTENER KIT: (5) #6 x 1-1/4" SLOT, OHSMS, S.S.	1	



Ref.	Part Number	Description	std	opt
1	E26 03 31 285	THRESHOLD	1	
	E26 03 31F	FASTENER KIT: (9) #10 x 1-1/2" SLOT.OHSMS,S.S.	1	
		(6) #10 FINISH WASHER, S.S.		
2	E26 03 35 285	STARBOARD EXTERIOR COMPANIONWAY TRIM	1	
3	E26 03 37 285	PORT EXTERIOR COMPANIONWAY TRIM	1	
	E26 03 37F	FASTENER KIT: (4) #10 x 1" SLOT. OHSMS,S.S.	2	
4	E26 03 43 285	STARBOARD RAILWOOD, 5'-7", FOR STANDARD HATCH	1	
5	E26 03 45 285	PORT RAILWOOD, 5'-7", FOR STANDARD HATCH	1	
	E26 03 43-45F	FASTENER KIT: (8) #10 x 1-1/2" SLOT.OHSMS,S.S.	2	
	E26 07 25 285	STARBOARD RAILWOOD, 5'-3", FOR POP TOP OPTION		1
	E26 07 27 285	PORT RAILWOOD, 5'-3", FOR POP TOP OPTION		1
	E26 07 25-27F	FASTENER KIT: (8) #10 x 2" SLOT. OHSMS,S.S.		2
		(8) #10 FINISH WASHER,S.S.		
6	E26 03 47 285	STARBOARD CABIN TRIM	1	
7	E26 03 49 285	PORT CABIN TRIM	1	
	E26 03 47-49F	FASTENER KIT: (5) #10 x 1" SLOT. OHSMS,S.S.	2	



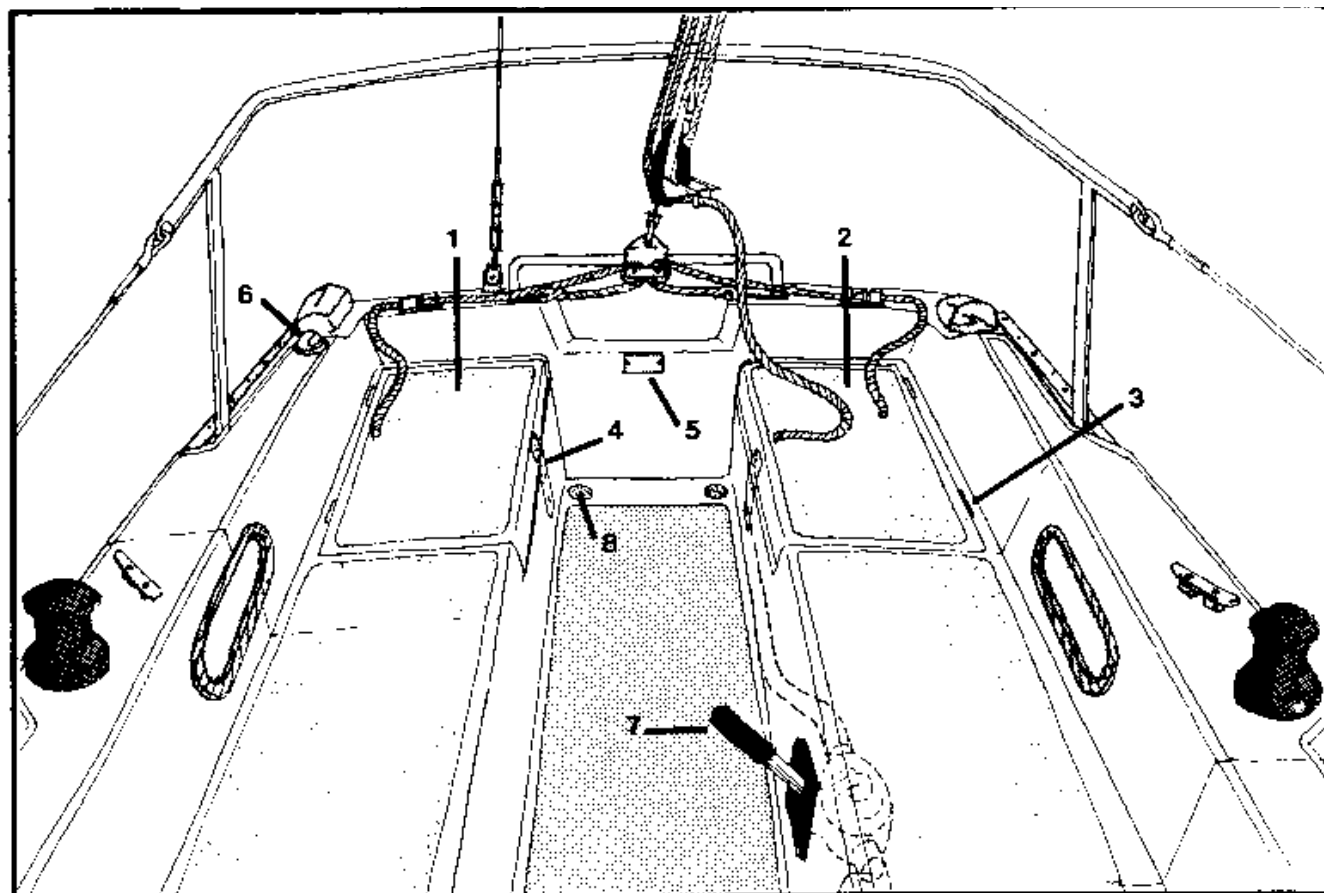
Rcf.	Part Number	Description	std	opt
1	E28 01 07 100	LIFELINE, PLASTIC COATED, 7 x 19,3/16"x19'-6", USED W/ LIFELINE PAD EYE		2
2	E28 01 05 610	LIFELINE PAD EYE, S.S.,USED IN LIEU OF STERN PULPIT		2
	E28 01 05F	FASTENER KIT: (2) 1/4"-20 x 2" SLOT.RHMS,S.S.		2
		(2) 1/4" FLAT WASHER,S.S.		
		(2) 1/4" LOCK WASHER,S.S.		
		(2) 1/4"-20 HEX NUT,S.S.		
3	E24 02 01 478	#1 JIB SHEET WINCH		2
	E24 03 00 478	#2 JIB SHEET WINCH		2
	E24 03 00F	FASTENER KIT: (4) 1/4"-20 x 2" SLOT. RHMS,S.S.		2
		(4) 1/4" FLAT WASHER, S.S.		
		(4) 1/4" LOCK WASHER, S.S.		
		(4) 1/4"-20 HEX NUT,S.S.		
4	E32 04 478	WINCH HANDLE		1
5	E24 01 01 760	JIB SHEET 6" JAM CLEAT		2
	E24 01 01F	FASTENER KIT: (2) 1/4"-20 x 2" SLOT,FHMS,S.S.		2
		(2) 1/4" FLAT WASHER,S.S.		
		(2) 1/4" LOCK WASHER,S.S.		
		(2) 1/4" HEX NUT, S.S.		
6	E25 04 00 047	LOGO "CATALINA 25" W/ADHESIVE BACK		2
	E25 01 00 100	COCKPIT COAMING COMPARTMENT, COMPLETE ASSEMBLY		2
7	E25 01 01 100	COAMING COMPARTMENT, FIBERGLASS LINER		2
8	E25 01 03 285	TEAK TRIM RING		2
	E25 01 03F	FASTENER KIT: (4) #6-32 x 1" SLOT. FHMS,S.S.		2
		(4) #6 FLAT WASHER, S.S.		
		(4) #6 LOCK WASHER, S.S.		
		(4) #6-32 HEX NUT, S.S.		

**Catalina**  
Yachts

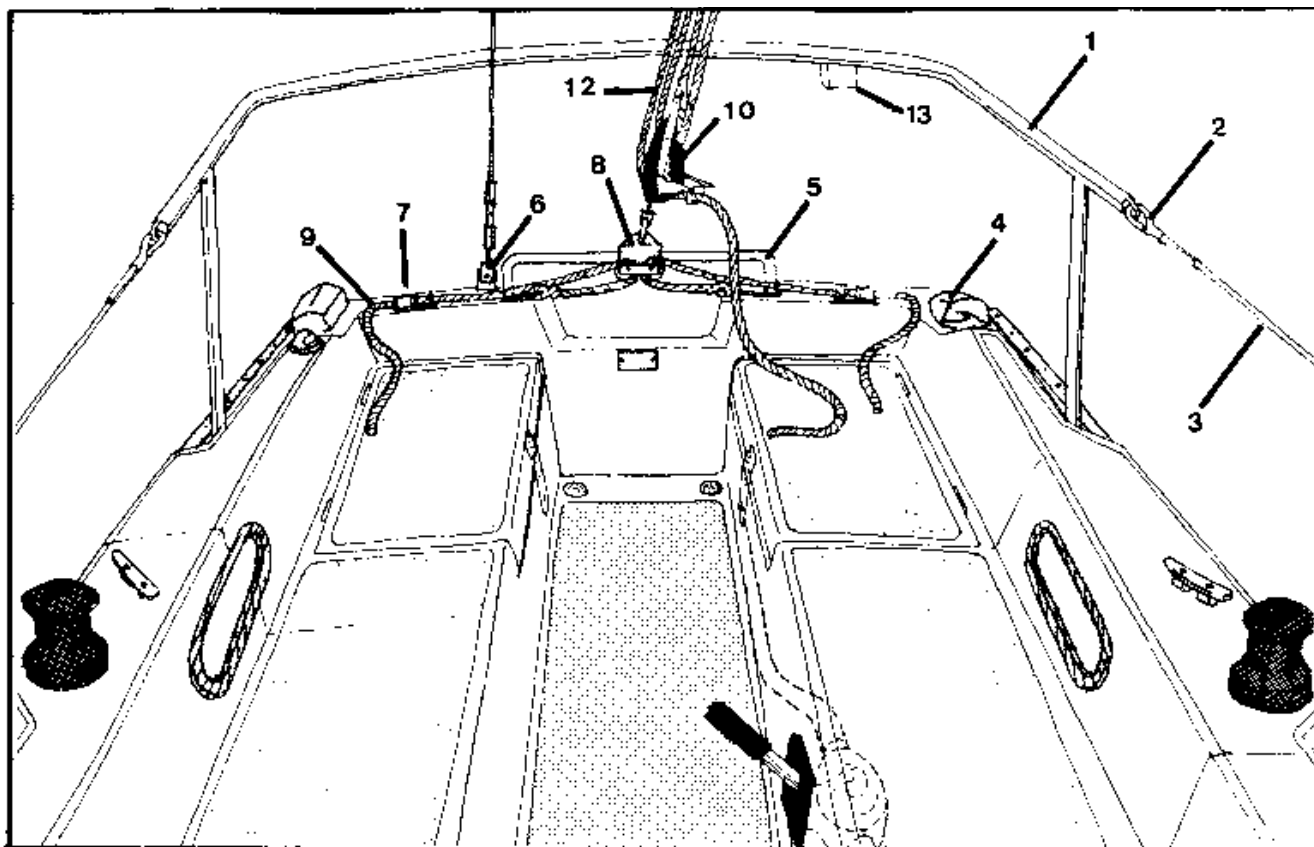
**25 PARTS CATALOGUE**

COCKPIT  
LIFELINES, WINCHES, LOGO

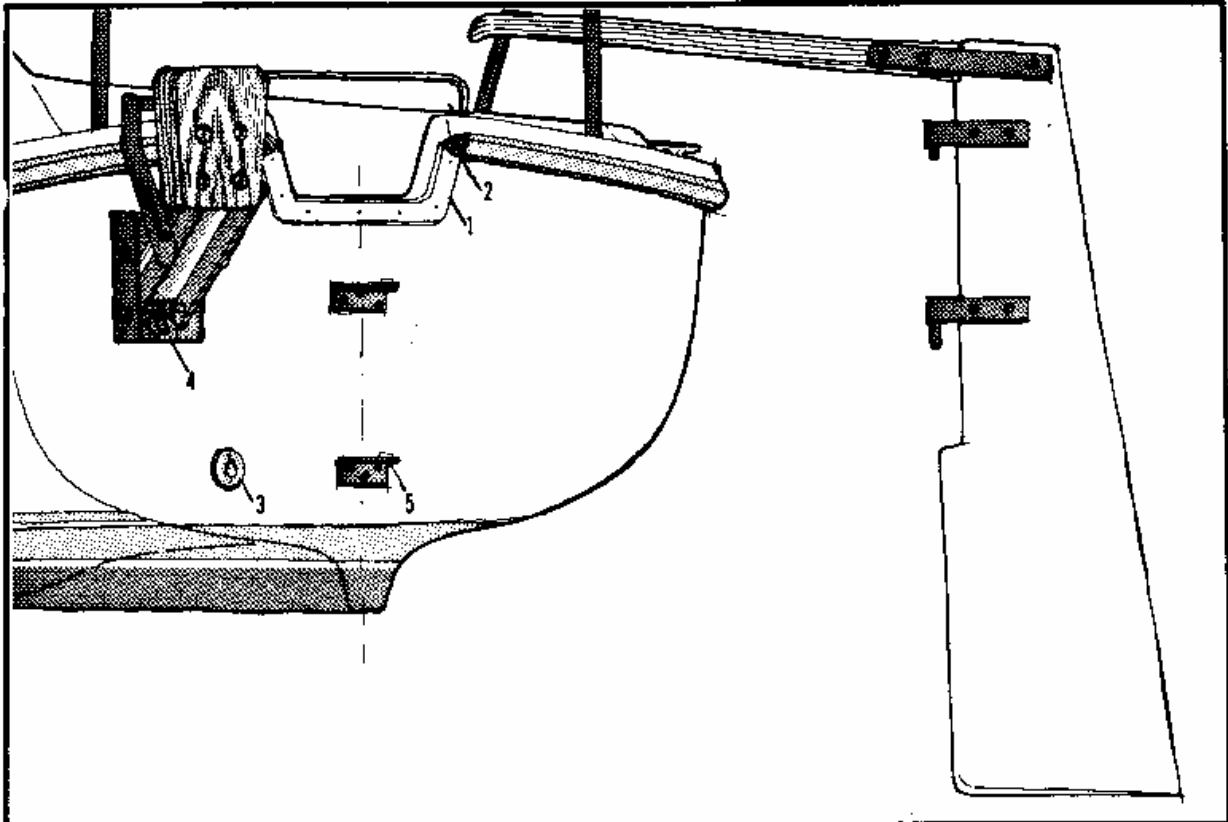
8.



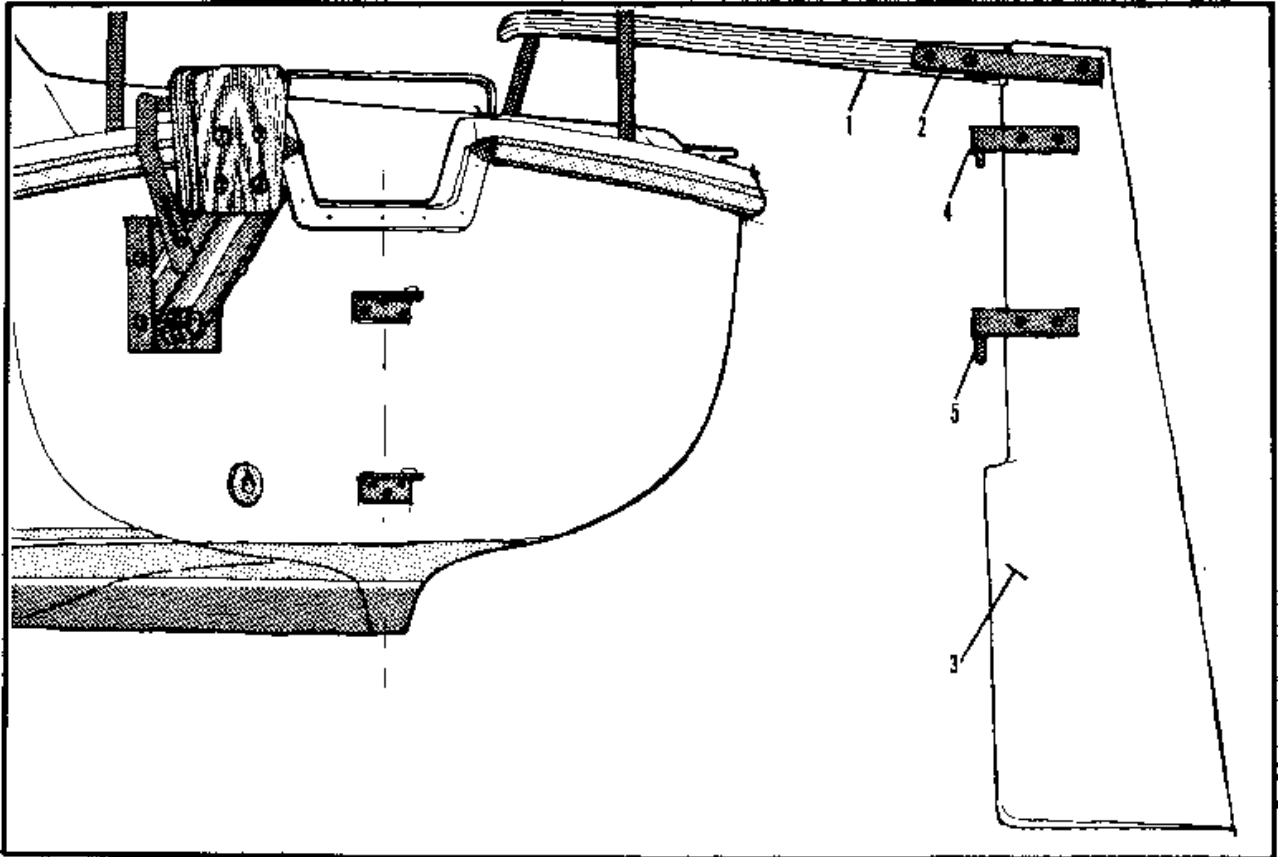
Ref.	Part Number	Description	std	opt
1	E26 10 01 100	STARBOARD SEAT HATCH COVER, FIBERGLASS	1	
2	E26 10 03 100	PORT SEAT HATCH COVER, FIBERGLASS	1	
3	E26 10 05 049	HINGE	2	
	E26 10 05F	FASTENER KIT: (4) #6-32 x 1" SLOT, FHMS, S.S.	2	
		(4) #6 FLAT WASHER, S.S.		
		(4) #6 LOCK WASHER, S.S.		
		(4) #6-32 HEX NUT, S.S.		
	E26 10 07 920	GASKET TAPE, 1/4" x 1/2" x 78"	2	
4	E26 10 09 497	HASP AND EYE, CHROME PLATED	2	
	E26 10 09F	FASTENER KIT: (8) #6 x 3/8" PHIL. OHSMS, S.S.	2	
5	E25 02 00 737	HULL IDENTIFICATION PLATE, S.S.	1	
	E25 02 00F	FASTENER KIT: (2) #10 x 3/4" PHIL. PHSMS, S.S.	1	
6	E75 03 01 497	WHITE, 12 POINT STERN LIGHT	1	
7	E60 01 01 125	BILGE PUMP W/HANDLE, DECK SEALER PLATE	1	
	E60 01 01F	FASTENER KIT: (6) #10-24 x 1" SLOT. FHMS, S.S.	1	
		(6) #10 FLAT WASHER, S.S.		
		(6) #10 LOCK WASHER, S.S.		
		(6) #10-24 HEX NUT, S.S.		
		(4) #14 FINISH WASHER, S.S.		
	E60 01 03 335	BILGE PUMP HOSE, 1" I.D. x 12'-0"	1	
	E60 01 05 519	#16 HOSE CLAMP, S.S.	3	
	E60 01 00 100	BILGE PUMP ASSEMBLY, COMPLETE	1	
8	E61 01 01 282	COCKPIT SCUPPER SCREEN	2	
	E61 01 05 900	3/4" x 2-1/2" HALF THREADED NIPPLE, BRASS	4	
	E61 01 07 035	1" I.D. x 9" COCKPIT DRAIN HOSE	2	
	E61 01 09 519	#20 HOSE CLAMP, S.S.	4	



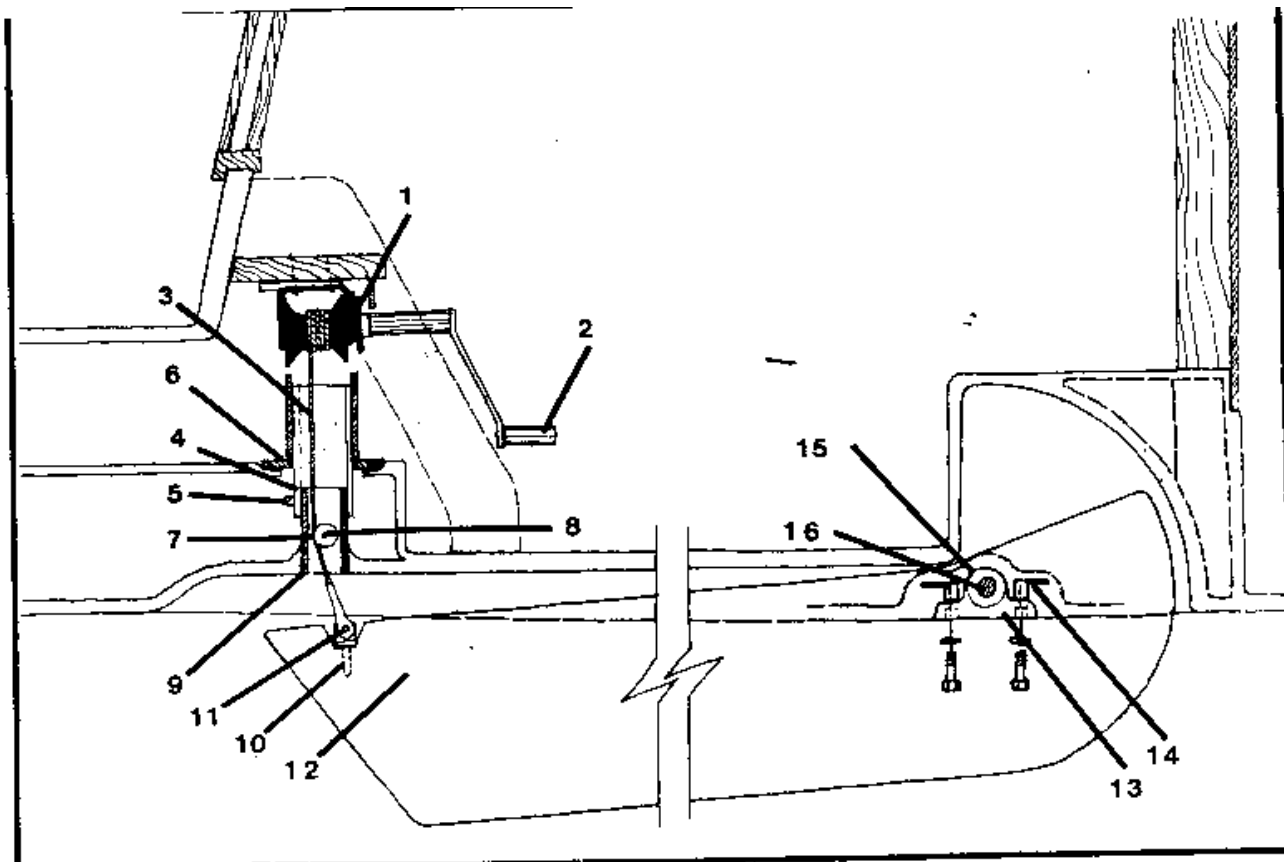
Ref.	Part Number	Description	std o
1	E28 12 03 610	SINGLE RAIL STERN PULPIT, S.S.	1
	E28 12 04 900	BACK UP PLATE	2
	E28 12 03-04F	FASTENER KIT: (12) 1/4"-20x1-3/4" SLOT. RHMS, S.S.	1
		(8) 1/4" FLAT, LOCK WASHER, S.S.	
		(8) 1/4"-20 HEX NUT, S.S.	
2	E28 12 07 900	PELICAN HOOK	2
3	E28 12 05 100	LIFELINE, PLASTIC COATED, 7x19, 3/16"x21'-7 1/2"	
		USED WITH STERN PULPIT	2
4	E50 03 01 260	FUEL COMPARTMENT VENT, S.S.	2
	E50 03 01F	FASTENER KIT: (3) #10 x 3/4" SLOT. OHSMS, S.S.	2
	E50 03 05 480	VENT HOSE, 3" I.D. x 5'-0" WIRE REINFORCED	2
	E50 03 07 480	VENT HOSE, 3" I.D. x 9'-0" WIRE REINFORCED	2
	E50 03 03 519	#50 HOSE CLAMP, S.S.	2
	E50 03 00 100	VENTING FOR OUTBOARD ENGINE, COMPLETE ASSEMBLY	1
5	E23 03 01 900	TRAVELER BAR, S.S.	1
	E23 03 03 900	BACK UP PLATE, BONDED IN PLACE	2
	E23 03 01-03F	FASTENER KIT: (2) 1/2"-13 x 1-1/2" HHMB, S.S.S	2
		(2) 1/2" FLAT, LOCK WASHER, S.S.	
6	E23 03 05 255	TANG, S.S.	2
7	E23 03 07 725	CAM CLEAT W/FAIRLEAD, FASTENERS INCLUDED	2
8	E23 03 09 255	ROLLER TRAVELER, CAR	1
9	E23 03 11 275	ADJUSTER LINE, BRAIDED DACRON, 1/4" x 6'0"	2
	E23 03 00 100	TRAVELER ASSEMBLY COMPLETE	1
10	E33 12 01 725	MAINSHEET FIDDLE BLOCK W/CAM CLEAT	1
11	E33 12 02 725	MAINSHEET SINGLE BLOCK W/BECKET	1
12	E37 01 25 275	MAINSHEET, BRAIDED DACRON, 3/8" x 75'-0"	1
13	E75 03 01 033	WHITE STERN LIGHT, NEW STYLE	1
	E75 03 01F	FASTNER KIT: (4) #10-24 x 1/2" R.H.M.S.	1



Ref.	Part Number	Description	std	opt
1	E22 04 01 225	TRANSOM TRIM WHITE PLASTIC	1	
	E22 04 01F	FASTENER KIT: (5) #6 x 1-1/4" SLOT. OHSMS, S.S.	1	
2	E22 03 05 900	RUB RAIL END STOP	2	
	E22 03 05F	FASTENER KIT: (2) #10 x 1" PHIL. PHSMS, S.S.	2	
3	E66 01 19 140	BILGE PUMP THRU HULL W/COLLAR, WHITE NYLON	1	
4	E50 01 00 255	OUTBOARD BRACKET, S.S.		1
	E50 01 00F	FASTENER KIT: (4) 3/8"-16x2 1/2" SLOT. RHMS, S.S.		1
		(4) 3/8" FLAT WASHERS, S.S.		
		(4) 3/8" LOCK WASHERS, S.S.		
		(4) 3/8"-16 HEX NUT, S.S.		
5	E27 19 01 900	GUDGEON, S.S.	2	
	E27 19 03 900	BACK UP PLATE	2	
	E27 19 01-03F	FASTENER KIT: (3) 1/4"-20x1 1/2" SLOT. RHMS, S.S.	2	
		(3) 1/4" FLAT WASHER, S.S.		
		(3) 1/4" LOCK WASHER, S.S.		
		(6) 1/4"-20 HEX NUT, S.S.		



Ref.	Part Number	Description	std	opt
	E27 06 00 100	TILLER ASSEMBLY, COMPLETE	1	
1	E27 06 01 285	LAMINATED TILLER	1	
2	E27 06 03 900	TILLER STRAPS, S.S.	2	
	E27 06 03F	FASTENER KIT: (3) 1/4"-20x2 1/2" SLOT.RHMS,S.S.	1	
		(3) 1/4" LOCK WASHER, S.S.		
		(3) 1/4"-20 HEX NUT, S.S.		
		(1) 3/8"-16x2 1/2" RHMS,S.S.		
		(1) 3/8"-16 WING NUT, S.S.		
	E27 07 00 100	TILLER COVER, SPECIFY COLOR		1
	E27 15 00 100	RUDDER, COMPLETELY ASSEMBLED	1	
3	E27 15 01 100	RUDDER, FIBERGLASS BLADE	1	
4	E27 15 03 900	SHORT PINTLE (TOP) S.S.	1	
5	E27 15 05 900	LONG PINTLE (BOTTOM),S.S.	1	
	E27 15 03-05F	FASTENER KIT: (2) 1/4"-20x2 1/4" SLOT.RHMS,S.S.	2	
		(2) 1/4" LOCK WASHER, S.S.		
		(2) 1/4"-20 HEX NUT, S.S.		



Ref.	Part Number	Description	std	opt
1	E27 03 01 230	RETRACTABLE KEEL WINCH	1	
	E27 03 03 285	SHIM	1	
	E27 03 01-03F	FASTENER KIT: (2) 3/8"-16x2" SLOT.FHMS, S.S.	1	
		(4) 3/8" FLAT, LOCK WASHER, S.S.		
		(4) 3/8"-16 HEX NUT, S.S.		
2	E27 03 05 230	WINCH HANDLE	1	
3	E27 03 07 100	KEEL CABLE, 7x19, 1/4"x10'-0", EYE TO EYE	1	
4	E27 03 09 335	1 1/2" I.D.x16" WIRE REINFORCED HOSE	1	
5	E27 03 11 519	#28 HOSE CLAMP, S.S.	2	
6	E27 03 13 310	2 1/4" I.D.x9 1/2" WHITE PVC TUBING, COVER FOR HOSE	1	
7	E27 03 15 900	RETRACTABLE KEEL TURNING BALL, BRASS	1	
8	E27 03 17 900	TURNING BALL PIN, 1 5/8"x3/8" S.S.	1	
9	E27 03 19 900	1 1/4"x6" NIPPLE, BONDED THRU HULL	1	
10	E27 03 21 512	1/2"-13x1" KEEL EYE BOLT, S.S.	1	
11	E27 03 23 900	RH 3/8"x1" CLEVIS PIN, FOR KEEL EYE BOLT, S.S.	1	
	E27 03 25 714	3/32"x1" COTTER PIN, FOR CLEVIS PIN	1	
12	E27 03 27 040	RETRACTABLE KEEL, IRON CASTING, 1500#	1	
13	E27 03 29 900	SHOE CASTING, SILICONE BRONZE	2	
	E27 03 29F	FASTENER KIT: (2) 3/8"-16x1 1/4" HHMB, S.S.	2	
		(2) 3/8" LOCK WASHER, S.S.		
14	L27 03 33 900	HANGER BOLT WELDMENTS, S.S.	4	
15	E27 03 35 048	RETRACTABLE KEEL WASHER, WHITE NYLON	2	
16	E27 03 37 900	RETRACTABLE KEEL PIVOT PIN, 5-1/2"x1" TOBIN BRONZE	1	
	E27 03 00 100	RETRACTABLE KEEL ASSEMBLY, COMPLETE	1	
	E27 01 01 040	FIXED KEEL, IRON CASTING, 1900 POUNDS, NOT SHOWN	1	
	E27 01 01F	FASTENER KIT: (6) 5/8"-11x6" KEEL BOLTS	1	
		(6) 5/8" FLAT WASHER		
		(6) 5/8"-11 HEX NUT		

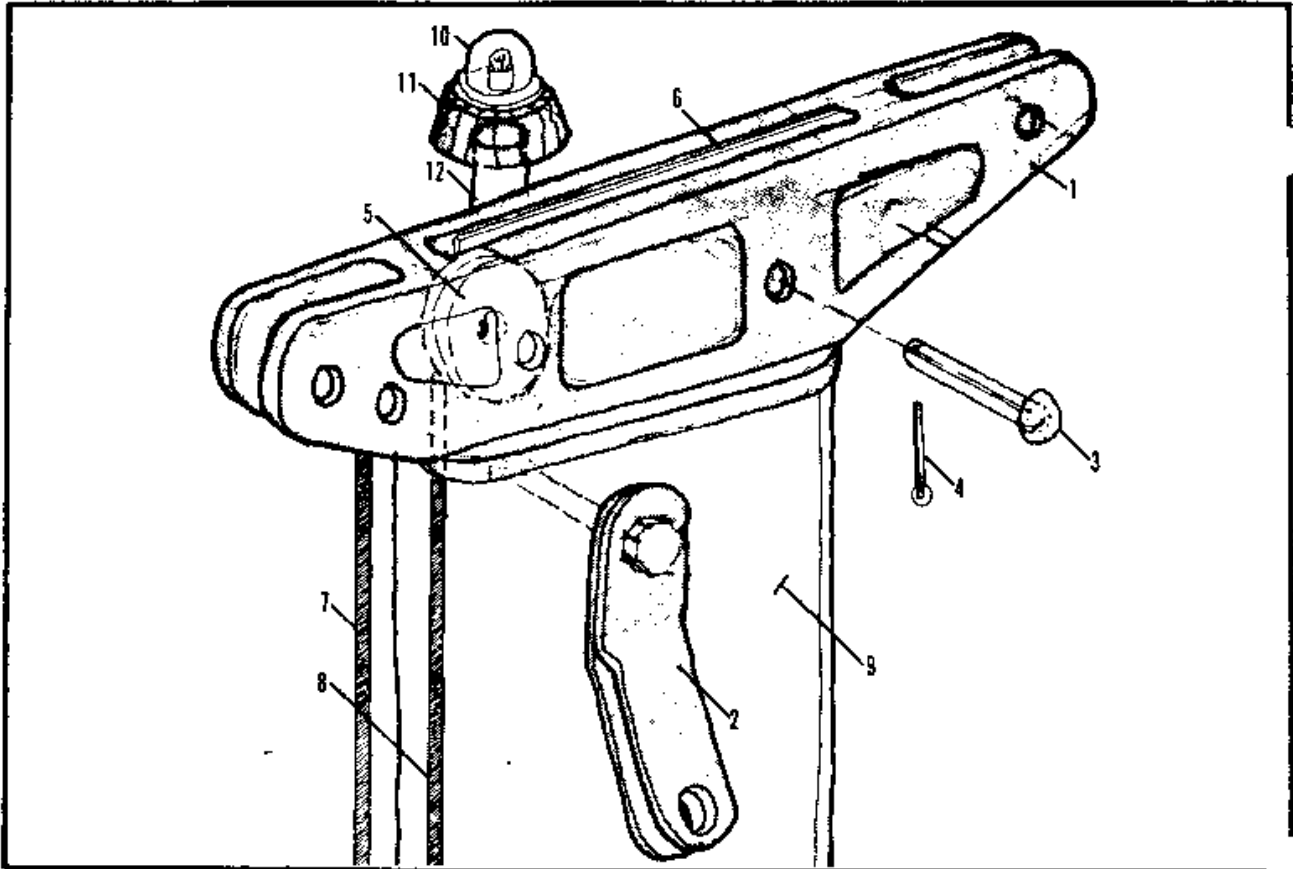
**Catalina**  
Yachts

**25 PARTS  
CATALOGUE**

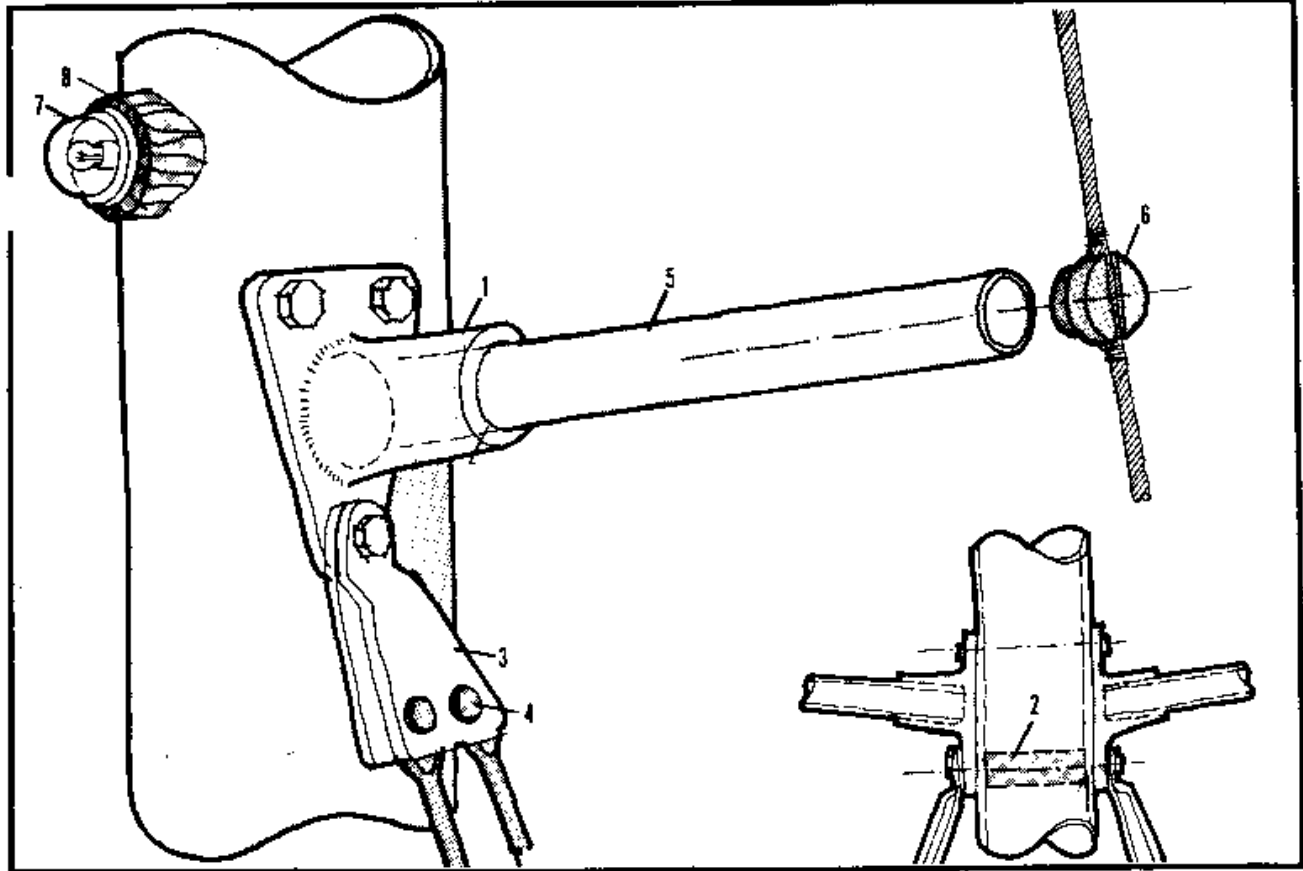
HULL AND DECK  
RETRACTABLE KEEL AND ASSEMBLY

13

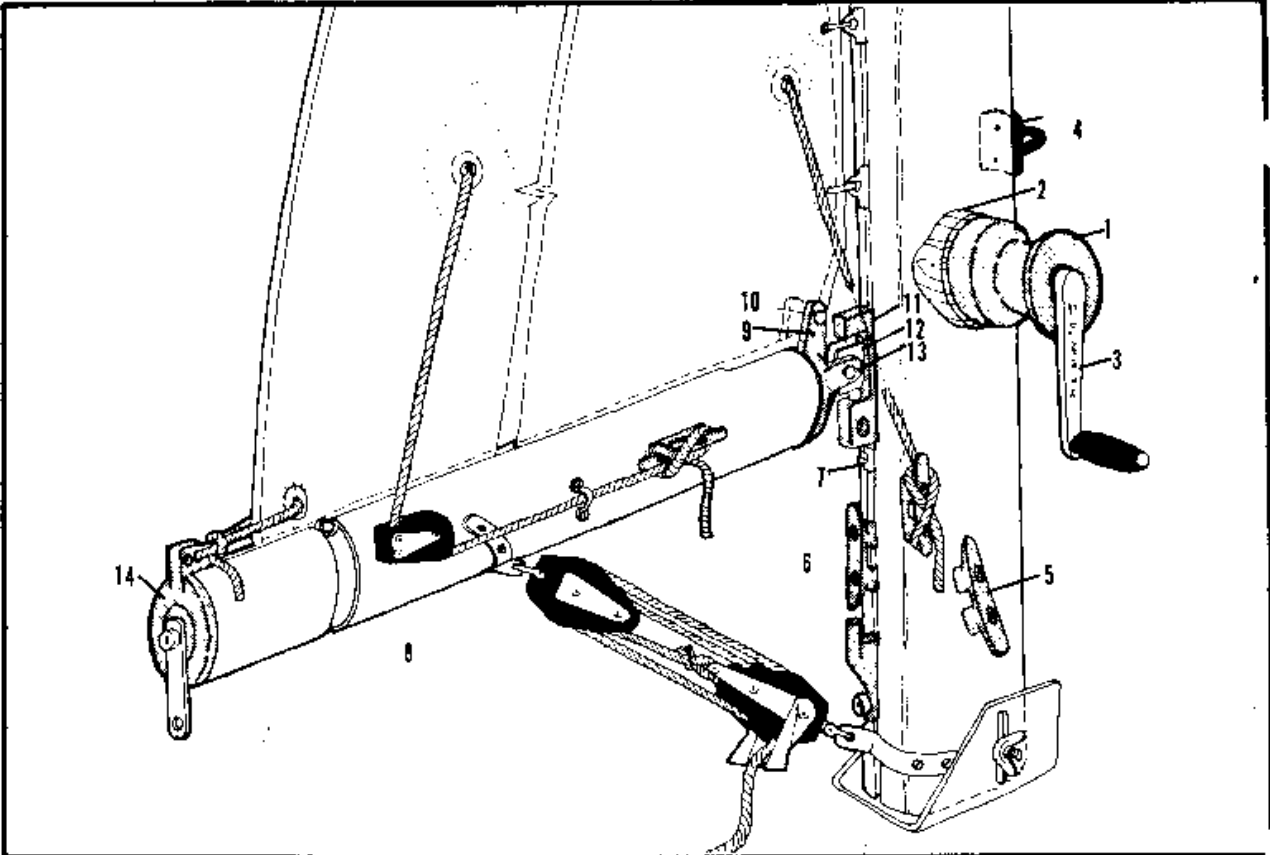




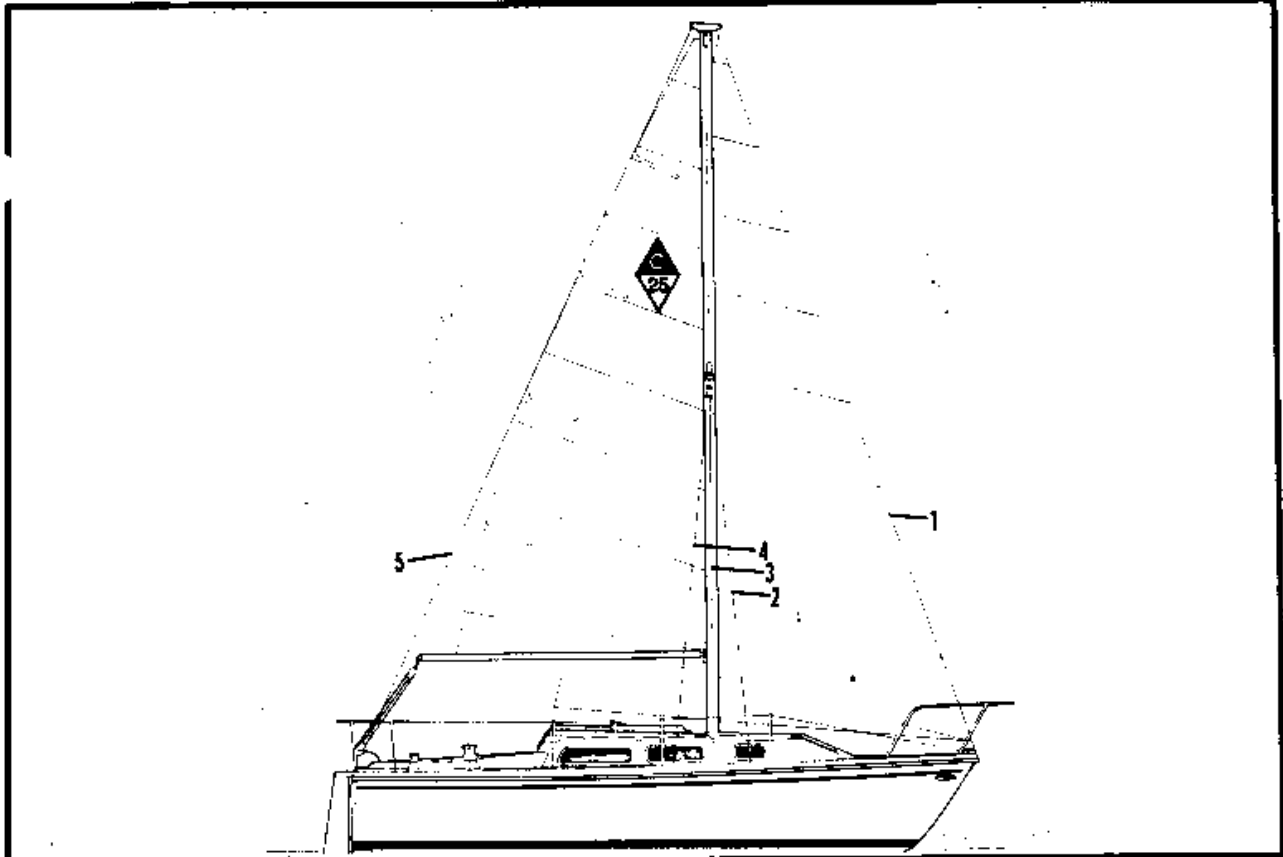
Ref.	Part Number	Description	std	opt
	E30 01 05 900	MASTHEAD ASSEMBLY, COMPLETE	1	
1	E30 01 07 900	MASTHEAD, ALUMINUM CASTING	1	
2	E30 01 09 255	UPPER SHROUD TANG, S.S.	4	
	E30 01 09F	FASTENER KIT: (3) #10x1" PHIL.PHSMS, S.S. (1) 3/8"-16x4" HHMB, S.S. (1) 3/8"-16 CASTLE NUT, S.S.	1	
	E30 01 12 900	RH 3/8"x3/4" CLEVIS PIN, S.S., FOR UPPER SHROUD TANG	2	
3	E30 01 11 900	MASTHEAD CLEVIS PIN, RH 3/16"x2"	5	
4	E30 01 15 740	COTTER PIN, 3/32"x1 1/2", S.S.	5	
5	E30 01 19 721	SHEAVE, PLASTIC	4	
6	E30 01 23 900	SPACER, ALUMINUM	1	
7	E33 05 01 100	MAIN HALYARD, 7x19, 1/8"x 27'-8"	1	
	E33 05 03 275	MAIN HALYARD TAIL, BRAIDED DACRON, 5/16"x35'-0"	1	
8	E33 05 05 100	JIB HALYARD, 7 x 19, 1/8" x 29'-2"	1	
	E33 05 07 275	JIB HALYARD TAIL, BRAIDED DACRON, 5/16" x 35'-0"	1	
9	E31 01 04 900	CLEAR ANODIZED 28'-0" MAST EXTRUSION, MACHINED	1	
	E31 01 00 900	CLEAR ANODIZED MAST ASSEMBLY, COMPLETE	1	
10	E75 08 01 497	ANCHOR LIGHT (MAST HEAD)		1
	E75 08 01F	FASTENER KIT: (3) #6 x 5/8" PHIL. PHSMS, S.S.	1	
11	E75 08 03 285	TEAK PAD		1
	E75 08 03F	FASTENER KIT: (1) #10-24 x 1" SLOT.FHMS, S.S.	1	
12	E75 08 05 900	MASTHEAD LIGHT TUBE, ALUMINUM	1	
	E73 08 05F	FASTENER KIT: (3) #10-24 x 1" SLOT.FHMS, S.S.	1	
	E75 08 07 097	MASTHEAD LIGHT WIRE, 2 STRAND, 16 GAUGE, 30'-0"		1
	E75 08 09 135	4 PRONG MALE CONNECTOR		1
	E75 08 00 100	ANCHOR LIGHT (MASTHEAD) ASSEMBLY, COMPLETE		1



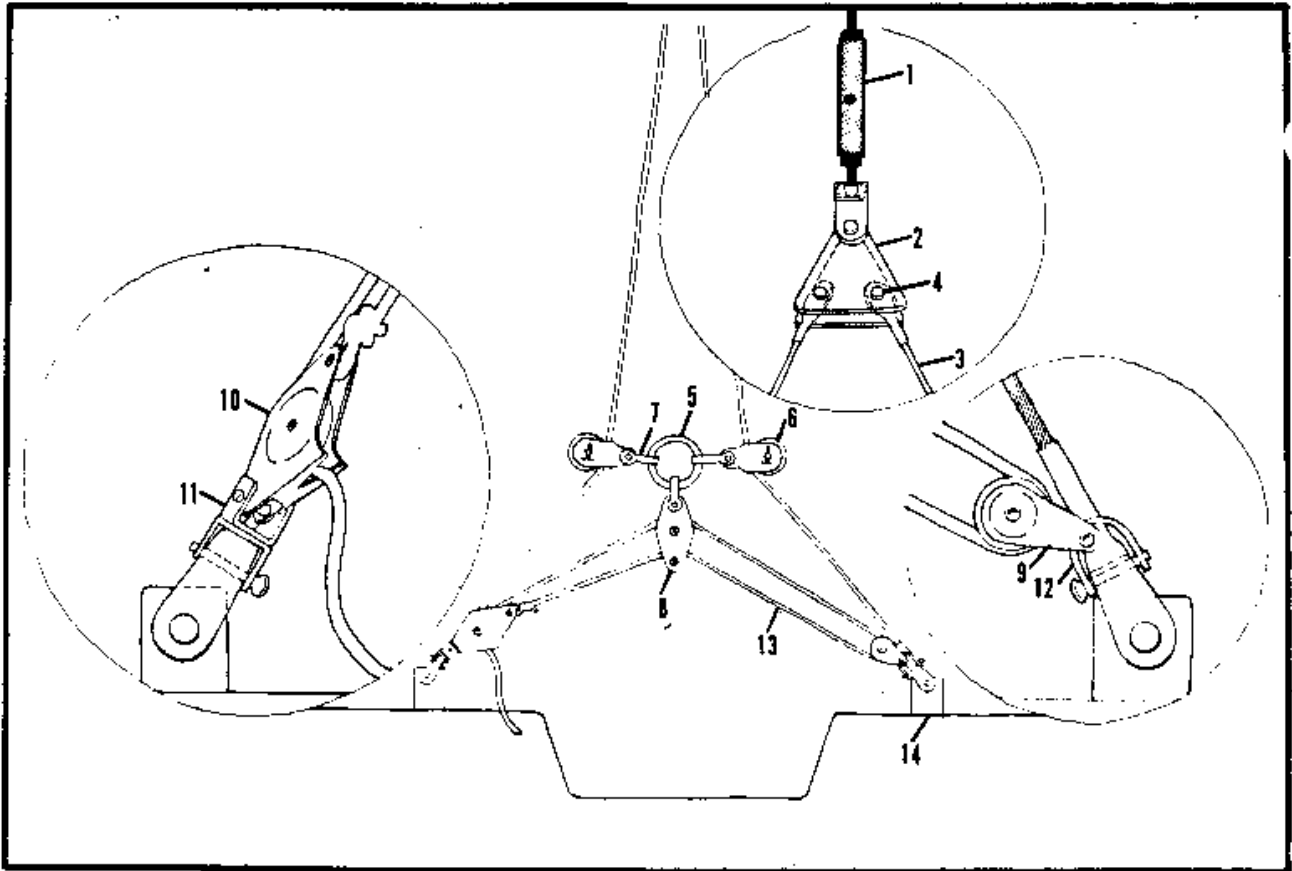
Ref.	Part Number	Description	std	opt
1	E30 01 27 900	SPREADER, Base, S.S.		2
2	E30 01 31 900	COMPRESSION TUBE, ALUMINUM		1
3	E30 01 29 255	LOWER SHROUD TANG, S.S.		4
	E30 01 27-31F	FASTENER KIT: (1) 3/8"-16x4 1/2" HHMB, S.S. (1) 3/8"-16 CASTLE NUT, S.S. (2) 5/16"-18x4 1/2" HHMB, S.S. (2) 5/16"18 CASTLE NUT, S.S.		1
4	E30 01 33 900	FH 5/16"x3/4" CLEVIS PIN, FOR LOWER SHROUD		4
	E30 01 35 740	3/32"x 1 1/2" COTTER PIN, FOR LOWER SHROUD CLEVIS PIN		4
5	E30 01 37 900	CLEAR ANODIZED 32" SPREADER, ALUMINUM		2
	E30 01 41 740	3/32"x 1 1/2" COTTER PIN, FOR SPREADERS		2
6	E30 01 43 404	SPREADER PLUG, BLACK PLASTIC		2
7	E75 09 01 497	STEAMING LIGHT (BOW LIGHT)		1
	E72 09 01F	FASTENER KIT: (3) #6x5/8" PHIL. PHSMS, S.S.		1
8	E75 09 03 285	TEAK PAD		1
	E75 09 03F	FASTENER KIT: (2) #10-24x2" SLOT.FHMS, S.S.		1
	E75 09 05 097	STEAMING LIGHT WIRE, 2 STRAND, 14 GAUGE, 15'-6"		1
	E75 09 07 135	4 PRONG MALE CONNECTOR		1
	E75 09 09 675	RUBBER GROMMET, AT FOOT OF MAST		1
	E75 09 11 497	SOCKET, ON CABIN TOP		1
	E75 09 11F	FASTENER KIT: (3) #4 x 5/8" PHIL. PHSMS, S.S.		1
	E75 09 00 100	STEAMING LIGHT (BOW LIGHT) COMPLETE ASSEMBLY		1



Ref.	Part Number	Description	std.	opt.
1	E32 01 00 478	HALYARD WINCH, SINGLE SPEED		1
2	E32 01 01 285	TEAK WINCH PAD		1
	E32 01 00-01F	FASTENER KIT: (4) 1/4"-20x1-1/2" SLOT.RHMS, S.S.		1
3	E32 04 00 478	WINCH HANDLE		1
4	E35 07 01 225	WHISKER POLE PAD EYE		1
	E35 07 01F	FASTENER KIT: (2) #10x1" PHIL. PHSMS, S.S.		1
	E35 07 03 225	WHISKER POLE, 6'-0" to 12'-0" TELESCOPING		1
5	E30 01 49 760	6" JAM CLEAT, ALUMINUM		2
	E30 01 49F	FASTENER KIT: (2) 1/4"-20x1-1/2" SLOT.FHMS, S.S.		2
6	E30 01 51 760	4-1/2" JAM CLEAT, BLACK ALUMINUM		1
	E30 01 51F	FASTENER KIT: (2) #10-24x1" SLOT.FHMS, S.S.		1
	E30 01 67 740	MAST STEP PIVOT BOLT 3/8"-16x4" HHMB W/WING NUT		1
7	E30 01 53 740	BOOM STOP		1
8	E31 09 11 900	CLEAR ANODIZED 11'-0" BOOM EXTRUSION, ALUMINUM, MACHINED	1	
	E31 09 09 100	CLEAR ANODIZED BOOM ASSEMBLY, COMPLETE	1	
9	E31 01 05 900	GOOSENECK CASTING	1	
	E31 01 05F	FASTENER KIT: (2) #10x1" PHIL.OHSMS, S.S.	1	
10	E31 01 17 900	TACK PIN, 1/4"x1-3/4" RH CLEVIS PIN	1	
11	E31 01 07 900	GOOSENECK SLIDE, ALUMINUM	1	
12	E31 01 09 255	GOOSENECK SLIDE CLIP, S.S.	1	
13	E31 01 11 900	RH 1/4"x1-1/2" CLEVIS PIN, S.S., FOR GOOSENECK SLIDE	1	
	E31 01 13 740	3/32"x1-1/2" COTTER PIN, S.S., FOR CLEVIS PIN	1	
14	E31 01 21 900	BOOM END CASTING	1	
	E31 01 21F	FASTENER KIT: (2) #10x1" PHIL. PHSMS, S.S.	1	



Ref.	Part Number	Description	std	opt
	E33 01 00 100	COMPLETE SET OF STANDING RIGGING	1	
1	E33 01 03 100	FORESTAY, 1 x 19, 3/16" x 29'-10"	1	
2	E33 01 05 100	FORWARD LOWER SHROUD, 1 x 19, 5/32" x 14'-4 1/2"	2	
3	E33 01 09 100	UPPER SHROUD, 1 x 19, 3/16" x 28'-5 1/2"	2	
4	E33 01 13 100	AFT LOWER SHROUD, 1 x 19, 5/32" x 14'-7"	2	
5	E33 01 17 100	BACKSTAY, 1 x 19, 3/16" x 32'-4"	1	
	E34 04 01 100	TOPPING PIGTAIL, 1x19, 1/8"x27" FOR SINGLE BACKSTAY	1	
	E34 04 03 100	TOPPING PIGTAIL, 1x19, 1/8"x37" FOR SPLIT BACKSTAY	1	
	E34 04 05 475	3/16" NICO PRESS SLEVE	2	
	E34 04 07 732	1/8" THIMBLE, S.S.	1	
	E34 04 09 297	TOPPING PIGTAIL CLIP	1	
	E34 04 11 500	5/32" NICO PRESS SLEVE	2	
	E33 01 21 500	5/32" STUD, S.S.	4	
	E33 01 25 500	3/16" STUD, S.S.	4	
	E33 01 29 500	5/32" EYE, S.S.	4	
	E33 01 33 500	3/16" EYE, S.S.	4	
	E33 01 37 500	3/16" FORK, S.S.	1	



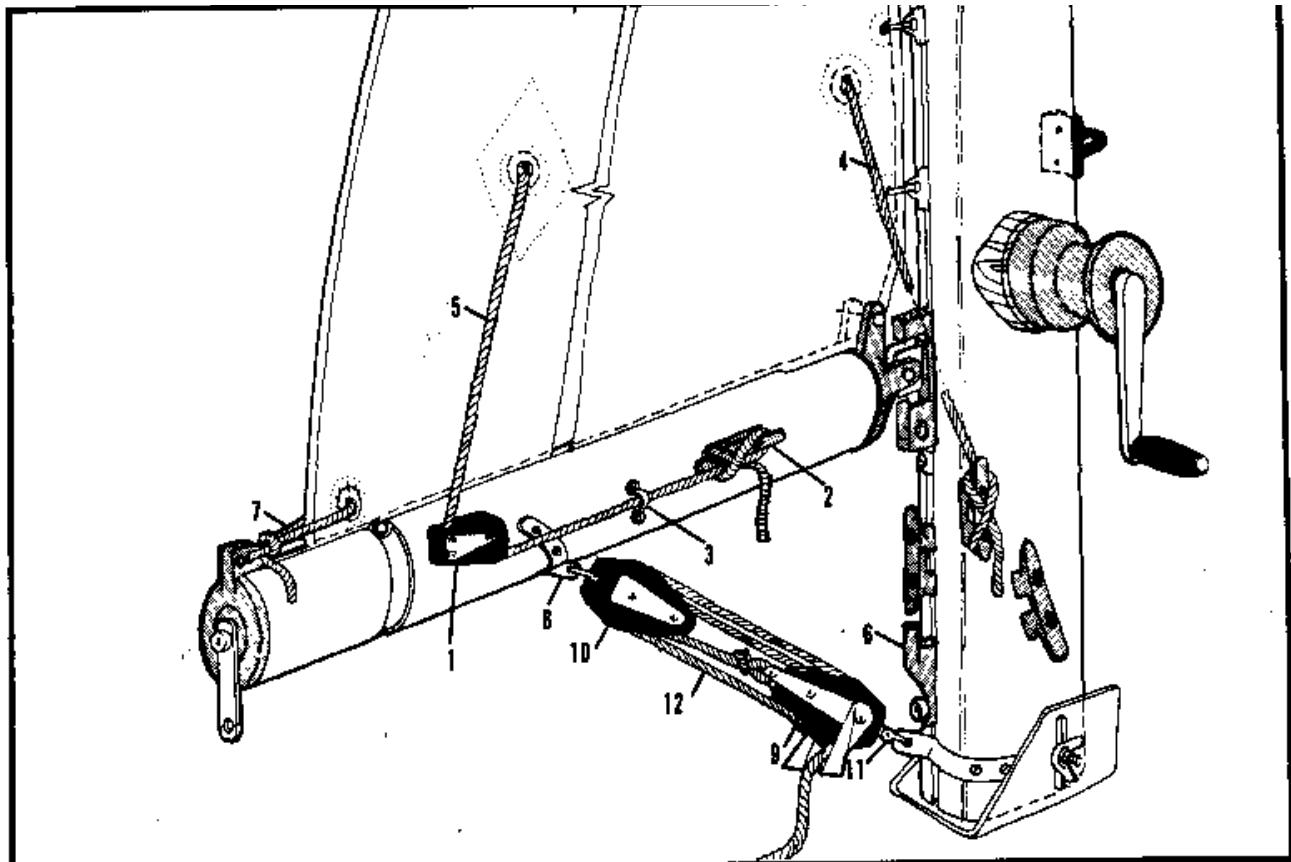
Ref.	Part Number	Description	std	opt
	E33 03 00 100	SPLIT BACKSTAY W/TENSION ADJUSTER, COMPLETE ASSEMBLY		1
	E33 03 02 725	SPLIT BACKSTAY, 1 x 19, 3/16" x 26'-4"		1
1	E32 10 00 900	5/16" - 18 TURNBUCKLE, S.S.	8	
2	E33 03 04 255	TANG PLATE, S.S.		2
3	E33 03 06 100	BRIDLE, 1 x 19, 3/16" x 5'-8 1/2"		2
4	E33 03 08 900	5/16" x 3/4" FH CLEVIS PIN, S.S., FOR BRIDLE		4
	E33 03 10 740	1/16" x 1/2" COTTER PIN, S.S., FOR CLEVIS PIN		4
5	E33 03 09 010	2" RING		1
6	E33 03 05 530	3/16" WIRE BLOCK		2
7	E33 03 07 725	SHACKLE, S.S.		4
8	E33 03 13 725	FIDDLE BLOCK W/BECKET		1
9	E33 03 15 725	SINGLE BLOCK		1
10	E33 03 17 725	SINGLE BLOCK W/JAM CLEAT AND BECKET		1
11	E33 03 19 725	SWIVEL COUPLER, S.S.		1
12	E33 03 21 725	MINI SHACKLE, S.S.		1
13	E33 03 11 275	ADJUSTER LINE, BRAIDED DACRON 1/4" x 15'-0"		1
14	E22 11 01 900	BACKSTAY TANG, S.S.	1	1
		FASTENER KIT: (2) 5/16"-18 x 2" SLOT FHMS, S.S.	1	1
		(2) 5/16" FLAT WASHER, S.S.		
		(2) 5/16" LOCK WASHER, S.S.		
		(2) 5/16"-18 HEX NUT., S.S.		

**Catalina**  
YACHTS

**25 PARTS CATALOGUE**

SPARS, RIGGING, SAILS  
SPLIT BACKSTAY W/TENSION  
ADJUSTER

18.



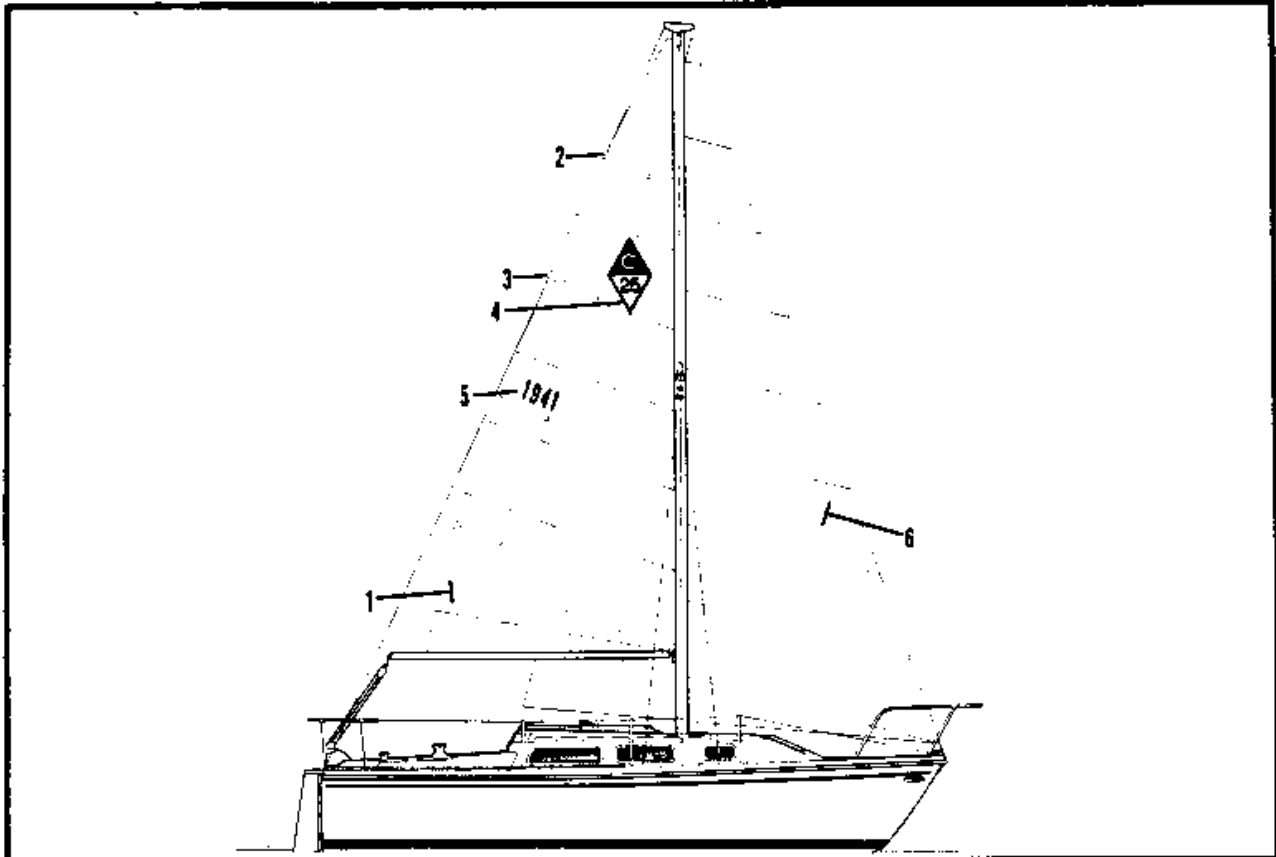
Ref.	Part Number	Description	std	opt
	E35 10 00 100	JIFFY REEFING ASSEMBLY, COMPLETE		1
1	E35 10 01 725	CHEEK BLOCK		1
	E35 10 01F	FASTENER KIT: (2) #10-24x 1 1/2" SLOT. RHMS, S.S.		1
2	E35 10 03 255	4 1/2" JAM CLEAT		2
	E35 10 03F	FASTENER KIT: (2) #10-24x 1" SLOT FHMS, S.S.		2
3	E35 10 05 255	PAD EYE, S.S.		4
	E35 10 05F	FASTENER KIT: (2) #10 x 1" PHIL PHSMS, S.S.		4
4	E35 10 07 275	REEFING LINE, BRAIDED DACRON, 1/4" x 11'-0"		1
5	E35 10 09 275	REEFING LINE, BRAIDED DACRON, 1/4" x 19'-0"		1
6	E26 07 39 900	POP TOP MAST LOCK		1
7	E33 07 01 275	OUTHHAUL, BRAIDED DACRON, 1/4" x 5'-0"	1	
	E33 07 03 275	DOWNHAUL, BRAIDED DACRON, 1/4" x 5'-0"	1	
	E35 08 00 100	BOOM VANG ASSEMBLY COMPLETE		1
8	E35 08 03 530	BOOM VANG HOUND, S.S.		2
	E35 08 03F	FASTENER KIT: (4) #10 x 1" PHIL. PHSMS, S.S.		2
9	E35 08 05 725	FIDDLE BLOCK W/BECKET AND CAM CLEAT		1
10	E35 08 07 725	FIDDLE BLOCK		1
11	E35 08 09 725	SHACKLE, S.S.		2
12	E35 08 11 275	BOOM VANG LINE, 1/4" x 35' - 0"		1

**Catalina**  
Yachts

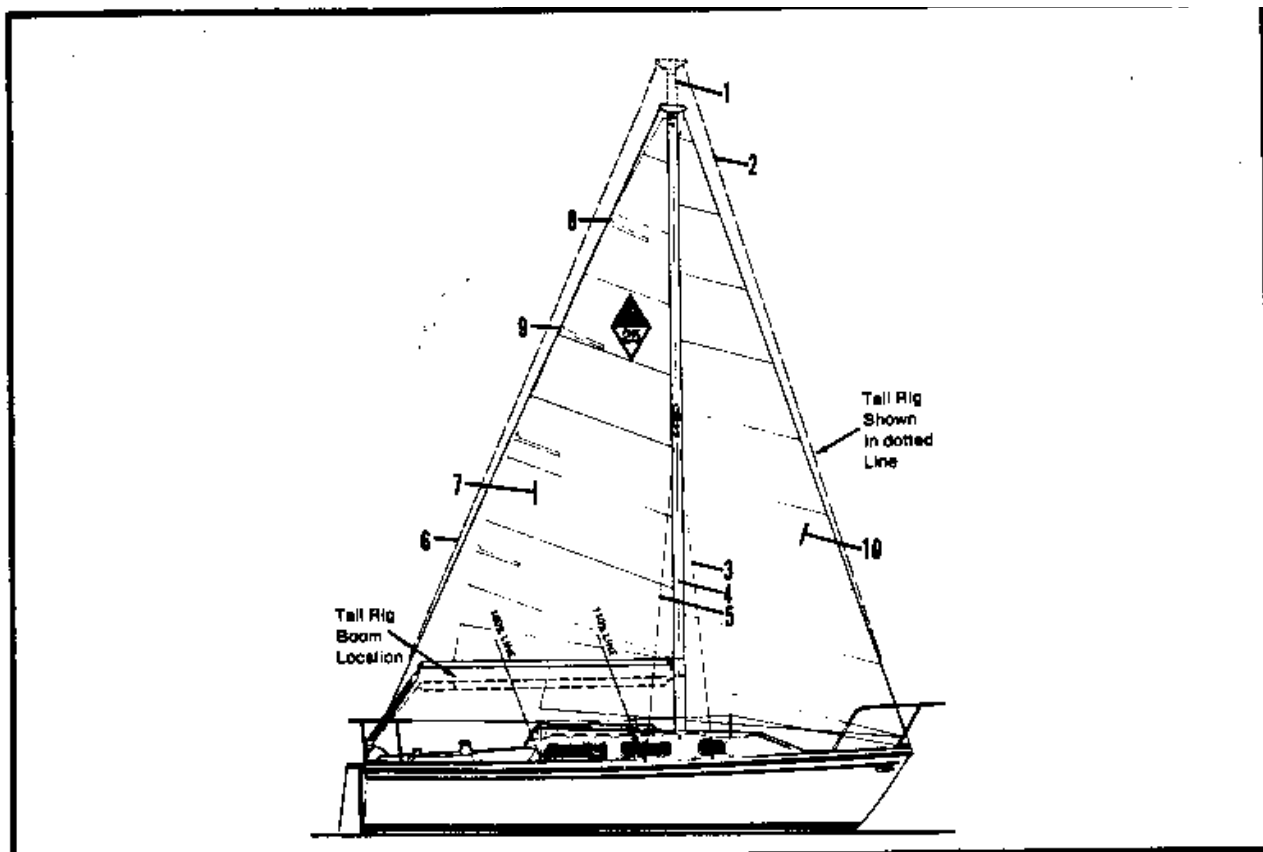
**25 PARTS  
CATALOGUE**

SPARS, RIGGING, SAILS  
JIFFY REEFING, BOOM VANG

19.

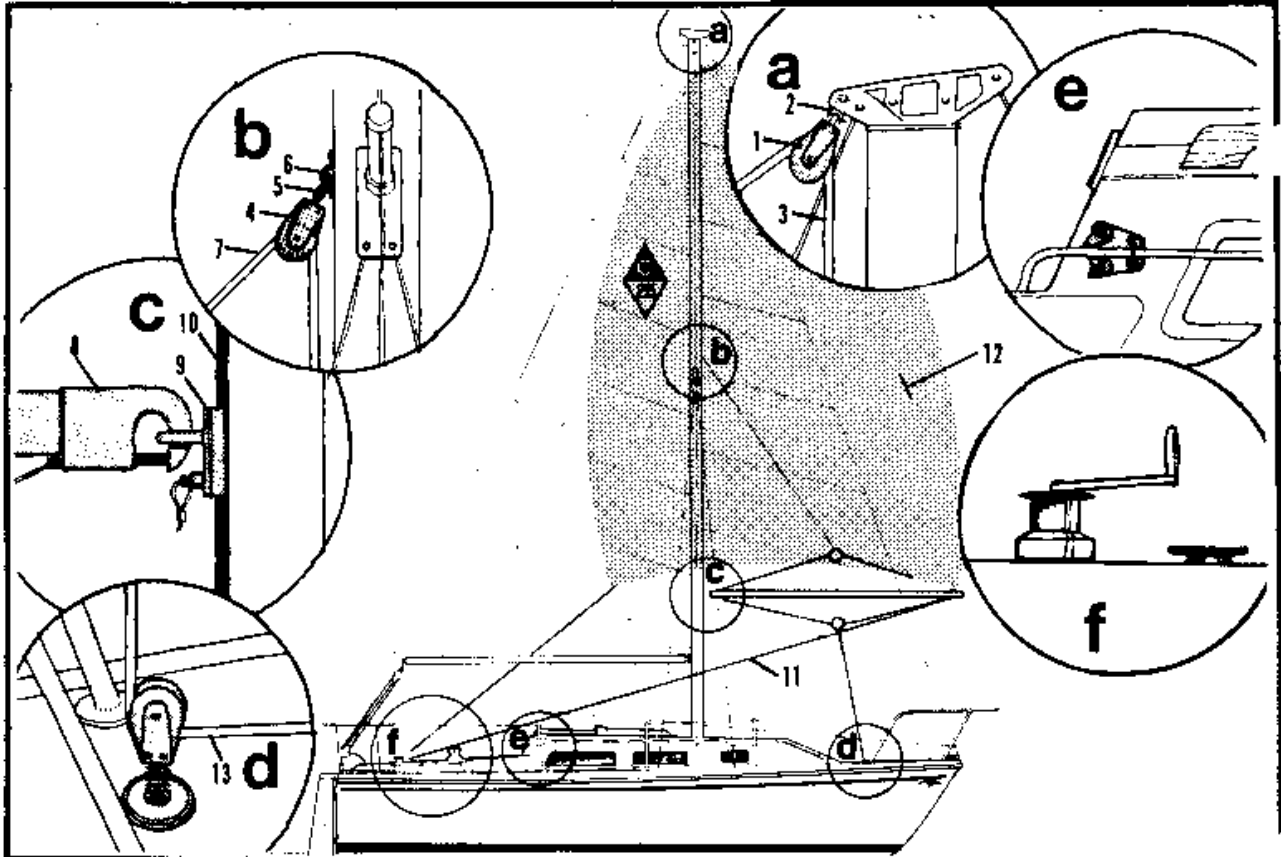


Ref.	Part Number	Description	std	opt
1	E37 01 00 100	MAINSAIL W/BOLT ROPE, SHEET, BATTENS, SAIL BAG	1	
	E37 02 00 100	MAINSAIL W/SLUGS, SHEET, BATTENS, SAIL BAG	1	
	E37 03 01 100	MAINSAIL W/REEF POINTS, BOLT ROPE, SHEET, BATTENS, SAIL BAG	1	
	E37 03 02 100	MAINSAIL W/REEF POINTS, SLUGS, SHEET, BATTENS, SAIL BAG	1	
	E37 01 09 300	MAINSAIL SLUG, NYLON	12	
2	E37 01 11 046	23 1/2" MAINSAIL BATTEN, ASH	2	
3	E37 01 13 046	25 3/4" MAINSAIL BATTEN, ASH	2	
4	E37 01 15 550	CLASS INSIGNIA, RED AND BLACK	2	
5	E37 01 17 550	SAIL NUMBER, BLACK	2	
	E37 01 33 100	MAINSAIL BAG, YELLOW	1	
	E37 50 00 100	MAINSAIL COVER, SPECIFY COLOR	1	
6	E37 04 00 100	JIB W/SHEETS, SAIL BAG	1	
	E37 07 00 100	150% GENOA W/SHEETS, SAIL BAG	1	
	E37 04 03 300	HANK, BRONZE	9	
	E37 04 05 715	HALYARD SHACKLE, S.S.	2	
	E37 04 25 275	JIB SHEET, BRAIDED DACRON, 3/8" x 65'-0"	1	
	E37 07 25 275	GENOA SHEET, BRAIDED DACRON, 3/8" x 75'-0"	1	
	E37 04 33 100	JIB SAIL BAG, YELLOW	1	
	E37 07 33 100	GENOA SAIL BAG, YELLOW	1	

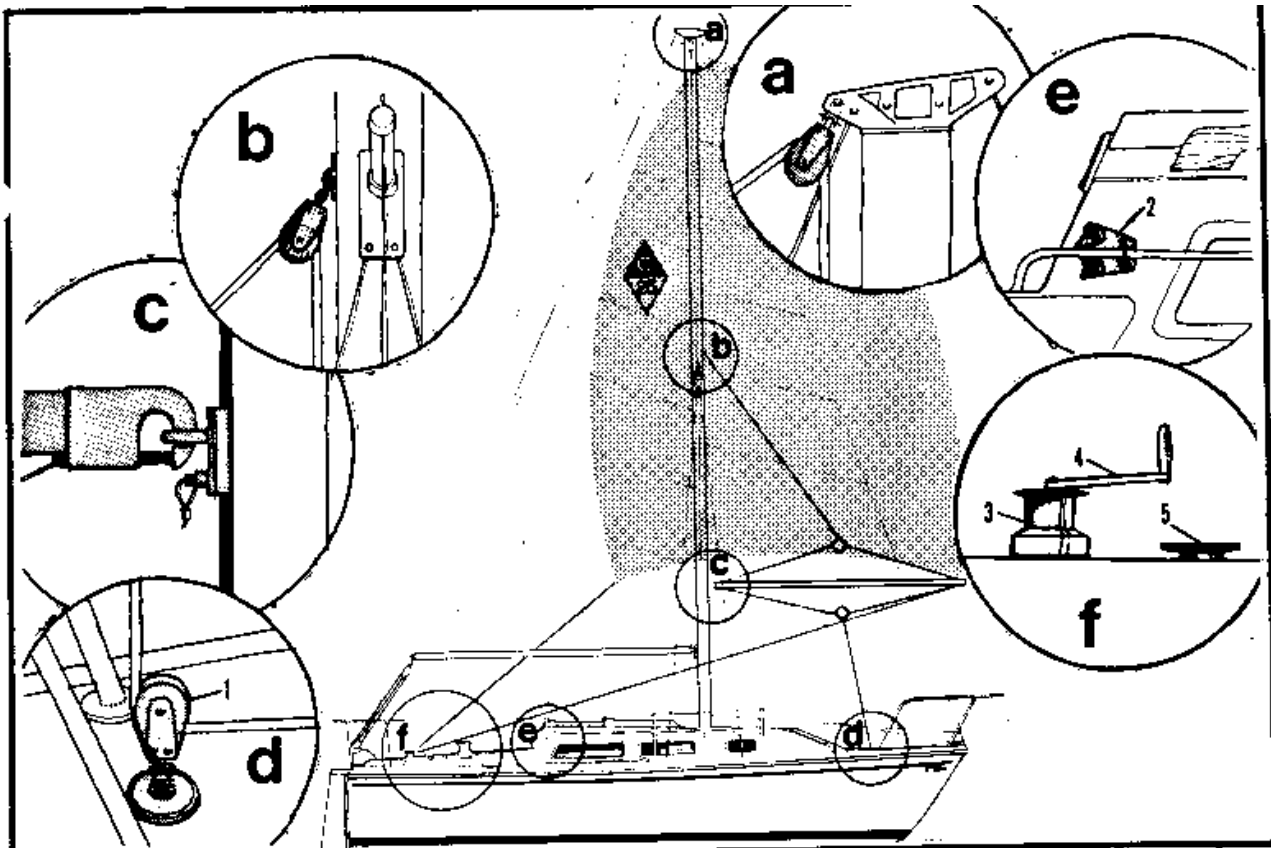


Ref.	Part Number	Description	std	opt
1	E38 00 01 900	CLEAR ANODIZED 30'-0" TALL MAST EXTRUSION, ALUMINUM, MACHINED		1
	E38 00 00 100	ANODIZED TALL RIG MAST ASSEMBLY, COMPLETE		1
2	E38 00 05 100	TALL RIG FORESTAY, 1 x 19, 3/16" x 31'-10"		1
3	E38 00 07 100	TALL RIG FORWARD LOWER SHROUD, 1 x 19, 5/32"x15'-5"		2
4	E38 00 09 100	TALL RIG UPPER SHROUD, 1 x 19, 3/16" x 30'-6 1/2"		2
5	E38 00 11 100	TALL RIG AFT LOWER SHROUD, 1 x 19, 5/32"x15'-6 1/4"		2
6	E38 00 13 100	SINGLE BACKSTAY, 1 x 19, 3/16" x 33'-11 1/4"		1
	E38 00 15 100	SPLIT BACKSTAY, 1 x 19, 3/16" x 28'-2"		1
7	E38 02 00 100	TALL RIG MAINSAIL W/BOLT ROPE, SHEET, BATTENS AND SAIL BAG		1
	E38 03 00 100	TALL RIG MAINSAIL W/SLUGS, SHEET, BATTENS AND SAIL BAG		1
	E38 02 01 100	TALL RIG MAINSAIL W/BOLT ROPE, REEF POINTS, SHEETS, BATTENS AND SAIL BAG		1
	E38 03 01 100	TALL RIG MAINSAIL W/SLUGS, REEF POINTS, SHEETS, BATTENS AND SAIL BAG		1
8	E38 02 11 046	TALL RIG 24" BATTEN, ASH		2
9	E38 02 13 046	TALL RIG 26 3/8" BATTEN, ASH		2
10	E38 04 00 100	TALL RIG JIB W/SHEETS AND SAIL BAG		1
	E38 06 00 100	TALL RIG 150% GENOA W/SHEETS AND SAIL BAG		1
	E38 08 00 100	TALL RIG SPINNAKER W/SHEETS AND TURTLE		1

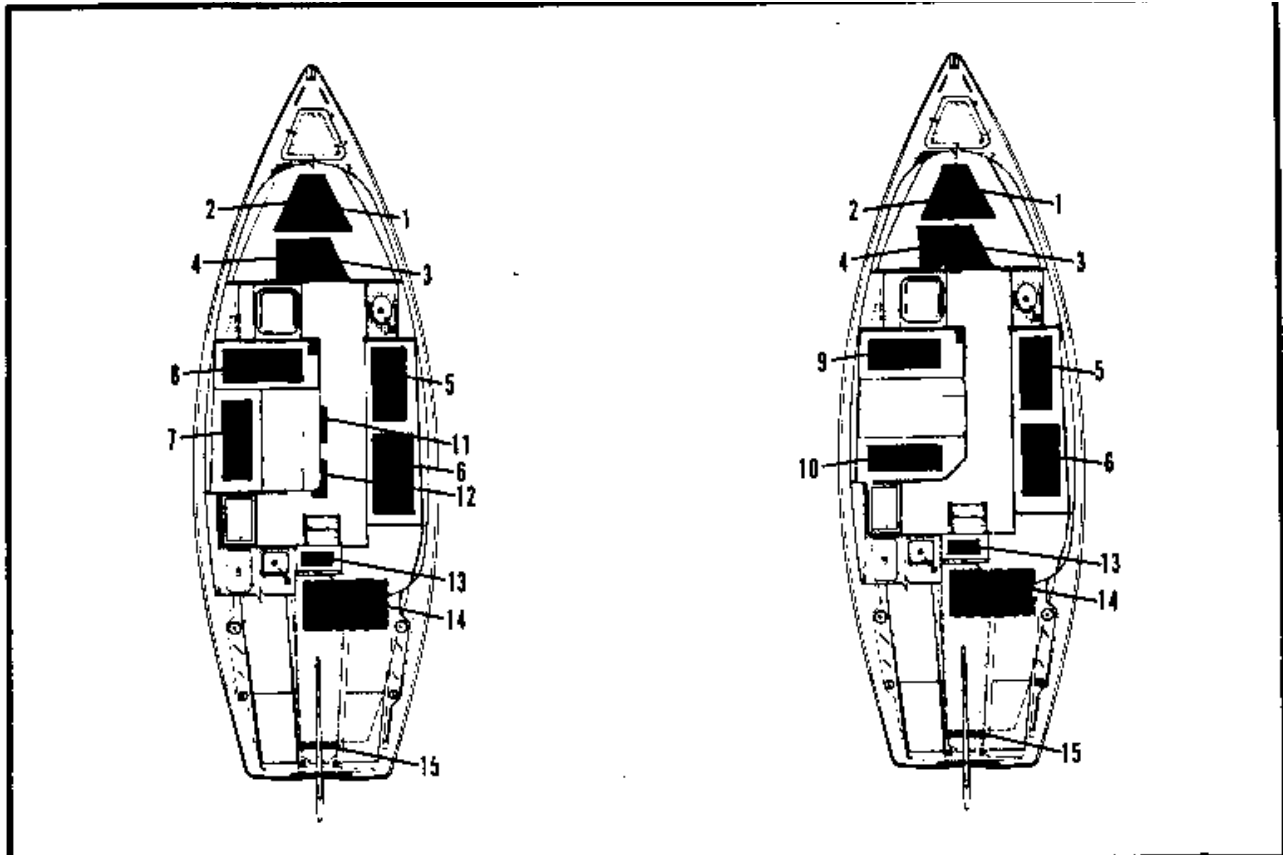




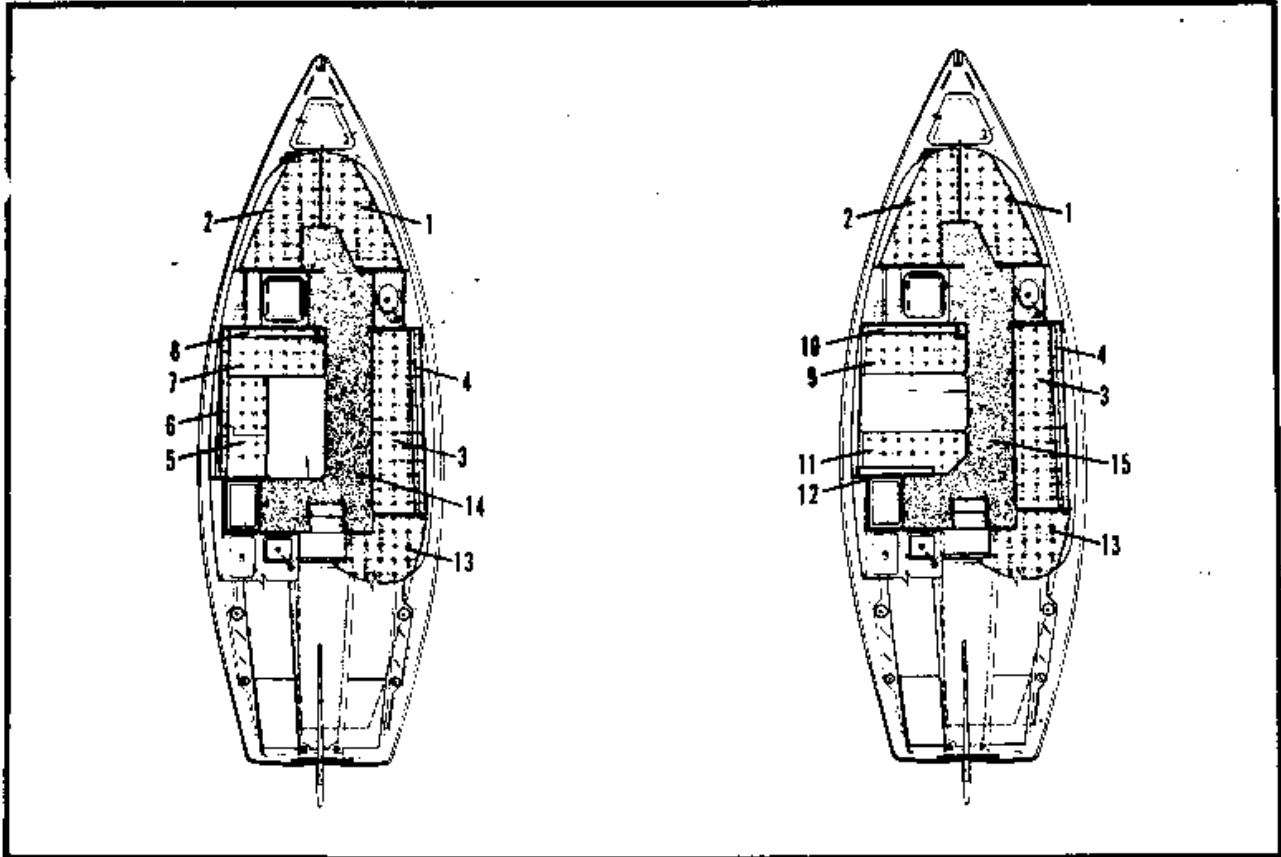
Ref.	Part Number	Description	std op.
	E35 01 00 100	SPINNAKER GEAR, COMPLETE	1
1	E35 01 01 725	SINGLE BLOCK, FOR SPINNAKER HALYARD	1
2	E35 01 03 715	SHACKLE, FOR SINGLE BLOCK	1
3	E35 01 05 275	SPINNAKER HALYARD, BRAIDED DACRON, 3/8" x 75'-0"	1
4	E35 01 07 725	SINGLE BLOCK, FOR SPINNAKER TOPPING LIFT	1
5	E35 01 09 715	SHACKLE, FOR SINGLE BLOCK	1
6	E35 01 11 255	PAD EYE, S.S., FOR TOPPING LIFT SINGLE BLOCK	1
	E35 01 11F	FASTENER KIT: (2) #10 x 1" PHIL. PHSMS, S.S.	1
7	E35 01 13 275	SPINNAKER TOPPING LIFT, BRAIDED DACRON, 3/8"x30'-0"	1
	E35 01 15 760	6" HALYARD, AND TOPPING LIFT JAM CLEAT	2
	E35 01 15F	FASTENER KIT: (2) 1/4"-20 x 1 1/2" SLOT. FHMS, S.S.	2
8	E35 01 17 225	10'-6" SPINNAKER POLE	1
	E35 01 43 270	2 3/4" SWIVEL SNAP SHACKLE, BRONZE	5
9	E35 01 19 530	SPINNAKER CAR (EYE)	1
0	E35 01 21 900	4'-6" SPINNAKER T TRACK, ON MAST	1
	E35 01 21F	FASTENER KIT: (12) 1/4"-20 x 1" SLOT. FHMS, S.S. (1) 1/4"-20 x 1" SLOT. FHMS, S.S. (2) 1/4" FLAT WASHER, S.S.	1
1	E35 01 41 275	SPINNAKER SHEET, BRAIDED DACRON, 3/8" x 65'-0"	2
	E35 01 40 725	SPINNAKER SHEET SINGLE BLOCK W/CAR	2
2	E37 11 00 100	3/4 oz. STANDARD RIG SPINNAKER, W/SHEETS AND TURTLE	1
	E37 11 33 100	SPINNAKER TURTLE, YELLOW	1
3	E35 01 27 275	FOREGUY, BRAIDED DACRON, 3/8" x 35'-0"	1



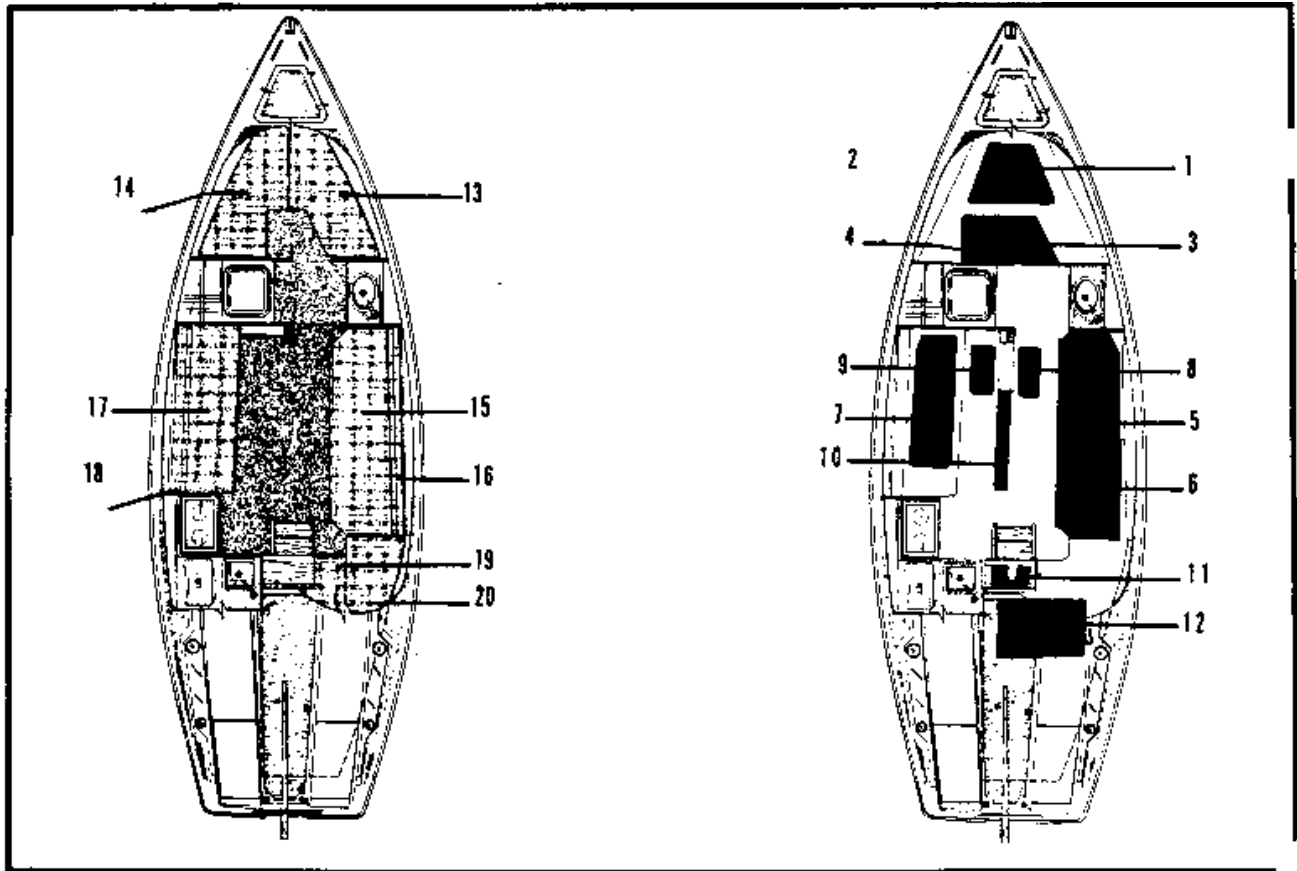
Ref.	Part Number	Description	std	opt
1	E35 01 23 275	FOREGUY STAND UP BLOCK		1
	E35 01 23F	FASTENER KIT: (4) #10-24 x 2" SLOT. RHMS, S.S. (4) #10 FLAT WASHER, S.S. (4) #10 LOCK WASHER, S.S. (4) #10-24 HEX NUT, S.S.		1
2	E35 01 25 725	FOREGUY CAM CLEAT W/FAIRLEAD, FASTENERS INCLUDED		1
3	E35 01 29 478	SPINNAKER SHEET WINCH, SINGLE SPEED		2
	E35 01 29F	FASTENER KIT: (4) 1/4"-20 x 2" SLOT. RHMS, S.S. (4) 1/4" FLAT WASHER, S.S. (4) 1/4" LOCK WASHER, S.S. (4) 1/4"-20 HEX NUT, S.S.		2
4	E32 04 00 478	WINCH HANDLE		1
5	E35 01 33 760	SPINNAKER SHEET 6" JAM CLEAT		2
	E35 01 33F	FASTENER KIT: (2) 1/4"-20 x 2" SLOT FHMS, S.S. (2) 1/4" FLAT WASHER, S.S. (2) 1/4" LOCK WASHER, S.S. (2) 1/4"-20 HEX NUT, S.S.		2



Ref.	Part Number	Description	std.	opt.
1	E41 01 01 285	STARBOARD V BERTH HATCH LID	1	
2	E41 01 03 285	PORT V BERTH HATCH LID	1	
3	E41 01 05 285	STARBOARD FILLER SUPPORT	1	
4	E41 01 06 285	PORT FILLER SUPPORT	1	
5	E41 01 07 285	FORWARD STARBOARD SETTEE HATCH LID	1	
6	E41 01 08 285	AFT STARBOARD SETTEE HATCH LID	1	
7	E41 01 09 285	PORT SETTEE HATCH LID, TRADITIONAL INTERIOR ONLY	1	
8	E41 01 10 285	FORWARD SEAT HATCH LID, TRADITIONAL INTERIOR ONLY	1	
9	E41 01 11 285	FORWARD DINETTE HATCH LID, DINETTE INTERIOR ONLY	1	
10	E41 01 13 285	AFT DINETTE HATCH LID, FOR DINETTE INTERIOR ONLY	1	
11	E41 01 15 285	FORWARD BILGE COVER, FOR TRADITIONAL INTERIOR ONLY	1	
12	E41 01 17 285	AFT BILGE COVER, FOR TRADITIONAL INTERIOR ONLY	1	
	E41 01 15-17F	FASTENER KIT: (2) #10x1" SLOT. OHSMS, S.S. (2) #10 FINISH WASHER, S.S.	1	
13	E41 01 19 285	FORWARD QUARTERBERTH HATCH LID, SPECIFY FIXED OR SWING KEEL	1	
14	E41 01 21 285	AFT QUARTERBERTH HATCH LID	1	
15	E41 01 23 285	COCKPIT DRAINS INSPECTION PORT	1	
	E41 01 25 285	FORWARD QUARTERBERTH DECK HARDWARE ACCESS PORT	1	
	E41 01 27 285	AFT QUARTERBERTH DECK HARDWARE ACCESS PORT	1	
	E41 01 25-27F	FASTENER KIT: (2) #10 x 1" SLOT.OHSMS, S.S. (2) #10 FINISH WASHER, S.S.	1	
	E41 01 70 285	TRADITIONAL INTERIOR HATCH LIDS, COMPLETE SET	1	
	E41 01 75 285	DINETTE INTERIOR HATCH LIDS, COMPLETE SET	1	



Ref.	Part Number	Description	std.	opt.
1	E40 20 01 390	STARBOARD V BERTH CUSHION	1	
2	E40 20 05 390	PORT V BERTH CUSHION	1	
	E40 20 09 390	V BERTH FILLER	1	
3	E40 20 15 390	STARBOARD SETTEE BOTTOM	1	
4	E40 20 13 390	STARBOARD SETTEE BACK	1	
5	E40 20 21 390	PORT SETTEE BOTTOM, FOR TRADITIONAL INTERIOR ONLY	1	
6	E40 20 19 390	PORT SETTEE BACK, FOR TRADITIONAL INTERIOR ONLY	1	
7	E40 20 23 390	FORWARD SEAT BOTTOM, FOR TRADITIONAL INTERIOR ONLY	1	
8	E40 20 25 390	FORWARD SEAT BACK, FOR TRADITIONAL INTERIOR ONLY	1	
9	E40 28 27 390	FORWARD DINETTE SEAT BOTTOM, DINETTE INTERIOR ONLY	1	
10	E40 28 29 390	FORWARD DINETTE SEAT BACK, DINETTE INTERIOR ONLY	1	
11	E40 28 31 390	AFT DINETTE SEAT BOTTOM, FOR DINETTE INTERIOR ONLY	1	
12	E40 28 33 390	AFT DINETTE SEAT BACK, FOR DINETTE INTERIOR ONLY	1	
	E40 20 37 390	QUARTERBERTH SEAT BACK	1	
13	E40 20 39 390	STARBOARD QUARTERBERTH CUSHION	1	
	E40 20 41 390	PORT QUARTERBERTH CUSHION, FIXED KEEL ONLY	1	
	E40 20 42 390	PORT QUARTERBERTH CUSHION, RETRACTABLE KEEL ONLY	1	
	E40 16 01 390	STARBOARD COCKPIT CUSHION, VINYL	1	
	E40 16 03 390	PORT COCKPIT CUSHION, VINYL	1	
	E40 50 00 677	CUSHION SNAP, S.S.	15	
	E40 20 00 390	TRADITIONAL INTERIOR CUSHIONS, COMPLETE SET	1	
	E40 28 00 390	DINETTE INTERIOR CUSHIONS, COMPLETE SET	1	
14	E42 09 01 115	TRADITIONAL INTERIOR CARPETING, SPECIFY COLOR	1	
15	E42 09 03 115	DINETTER INTERIOR CARPETING, SPECIFY COLOR	1	



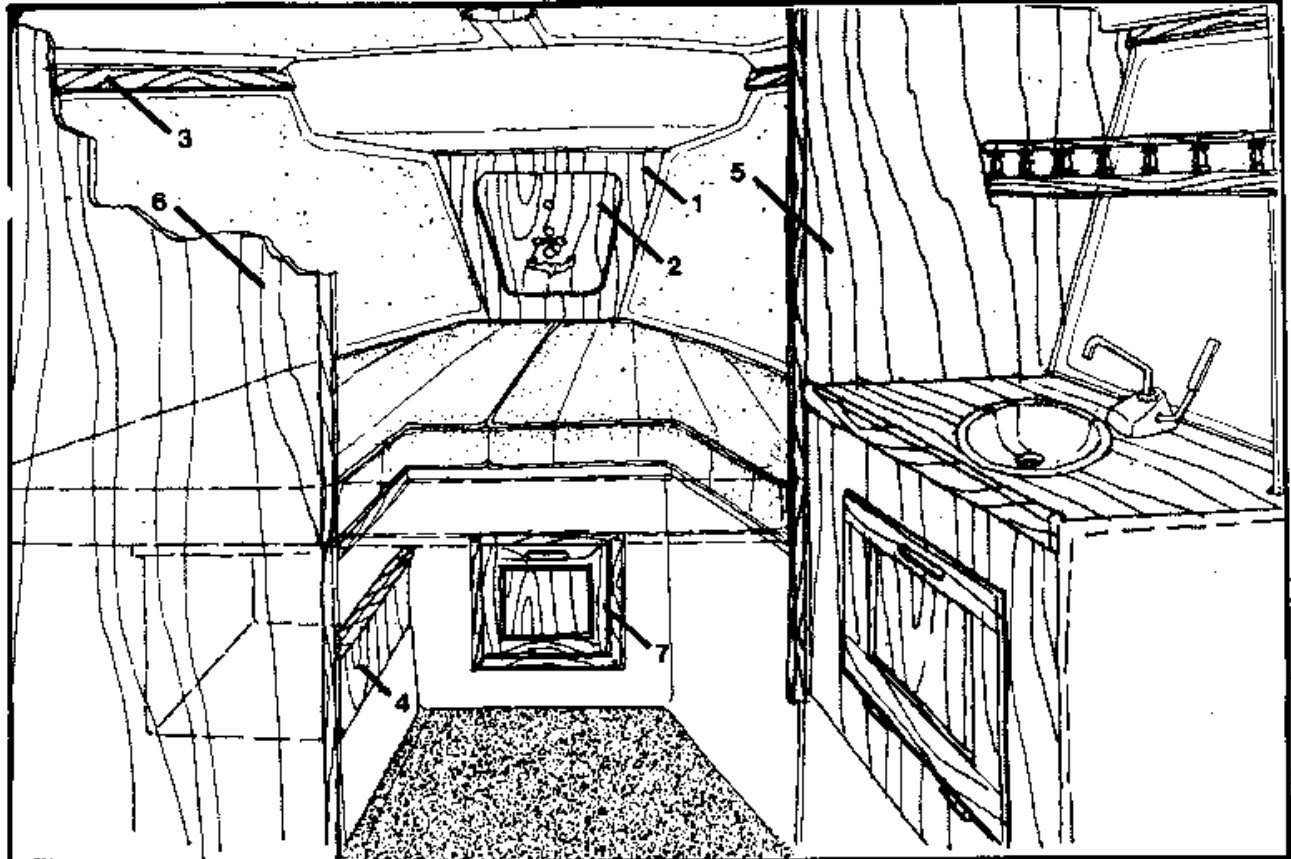
1	E41 01 01 285	Starboard V berth Hatch lid	1
2	E41 01 03 285	Port V berth Hatch lid	1
3	E41 01 05 285	Starboard V Berth Filler Support	1
4	E41 01 06 285	Port V Berth Filler Support	1
5	E41 01 28 285	Starboard Forward Settee Hatch New. Trad. Int. Only	1
	E41 01 28 F	Fastener Kit: (5) #10 x 1" Phillips, OHSMS, S.S. (3) #10 Finish Washers, S.S.	1
6	E41 01 29 285	Starboard Aft Settee Hatch New Trad. Int. Only	1
	E41 01 29 F	Fastener Kit: (2) Hinges, Brass (8) # 6 x 1/2" Phillips PHSMS, S.S.	1
7	E41 01 30 285	Port Settee Hatch for New Trad. Int. Only	1
8	E41 01 31 285	Starboard Bilge Cover for New Trad. Int. Only	1
9	E45 01 32 285	Port Bilge Cover for New Trad. Int. Only	1
10	E41 01 33 285	Center Bilge Cover for New Trad. Int. Only	1
11	E41 01 19 285	Forward Quarter Berth Hatch	1
12	E41 01 21 285	Aft Quarter Berth Hatch	1
13	E41 20 01 390	Starboard V berth Cushion	1
14	E40 20 05 390	Port V Berth Cushion	1
15	E40 20 09 390	V Birth Filler (not shown)	1
16	E40 20 43 390	Starboard Settee Cushion Bottom	1
17	E40 20 44 390	Starboard Settee Cushion Back	1
18	E40 20 45 390	Port Settee Cushion Bottom, New Trad. Int. Only	1
19	E40 20 46 390	Port Settee Cushion Back, New Trad. Int. Only	1
20	E40 20 39 390	Starboard Quarter Berth Cushion	1

*Catalina*  
Yachts

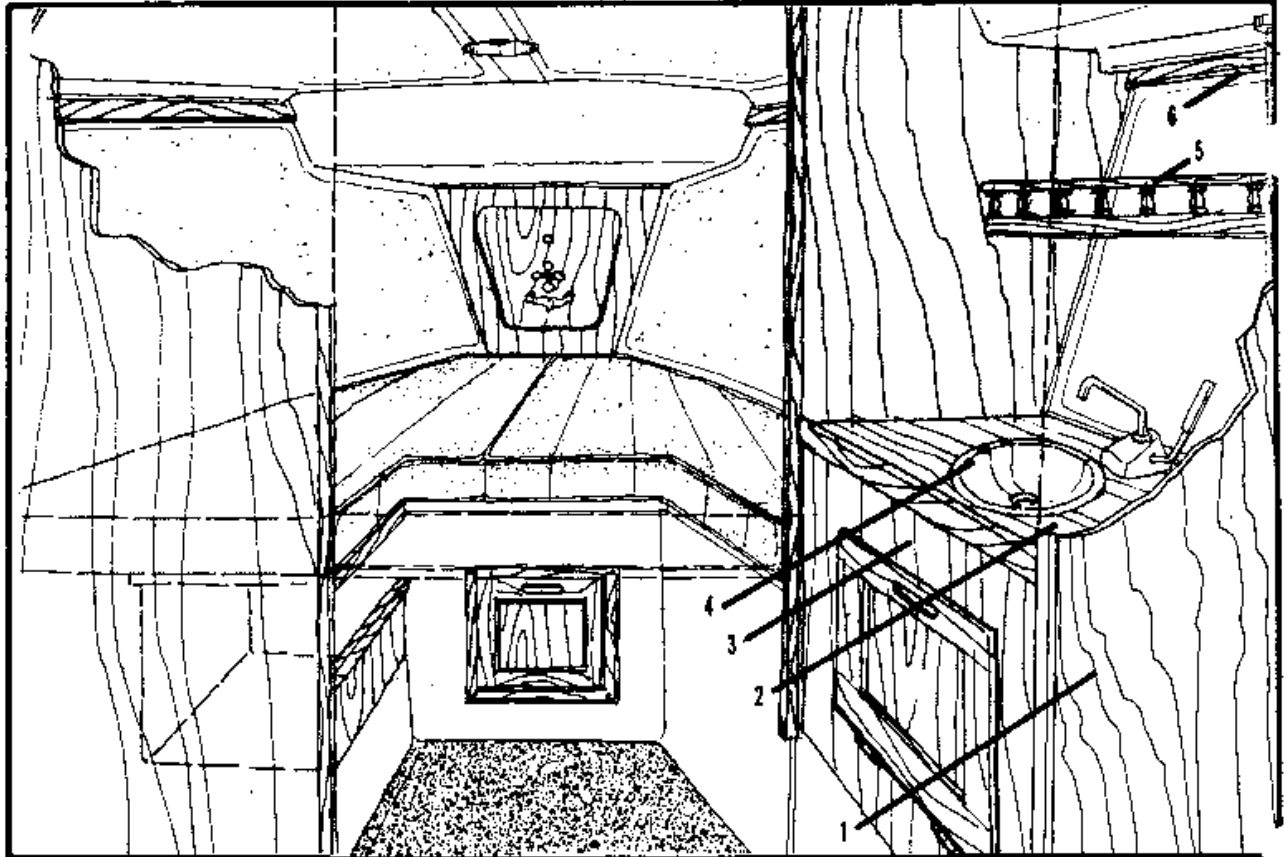
**25** PARTS  
CATALOGUE

INTERIOR  
NEW TRADITIONAL HATCHES & CUSHIONS

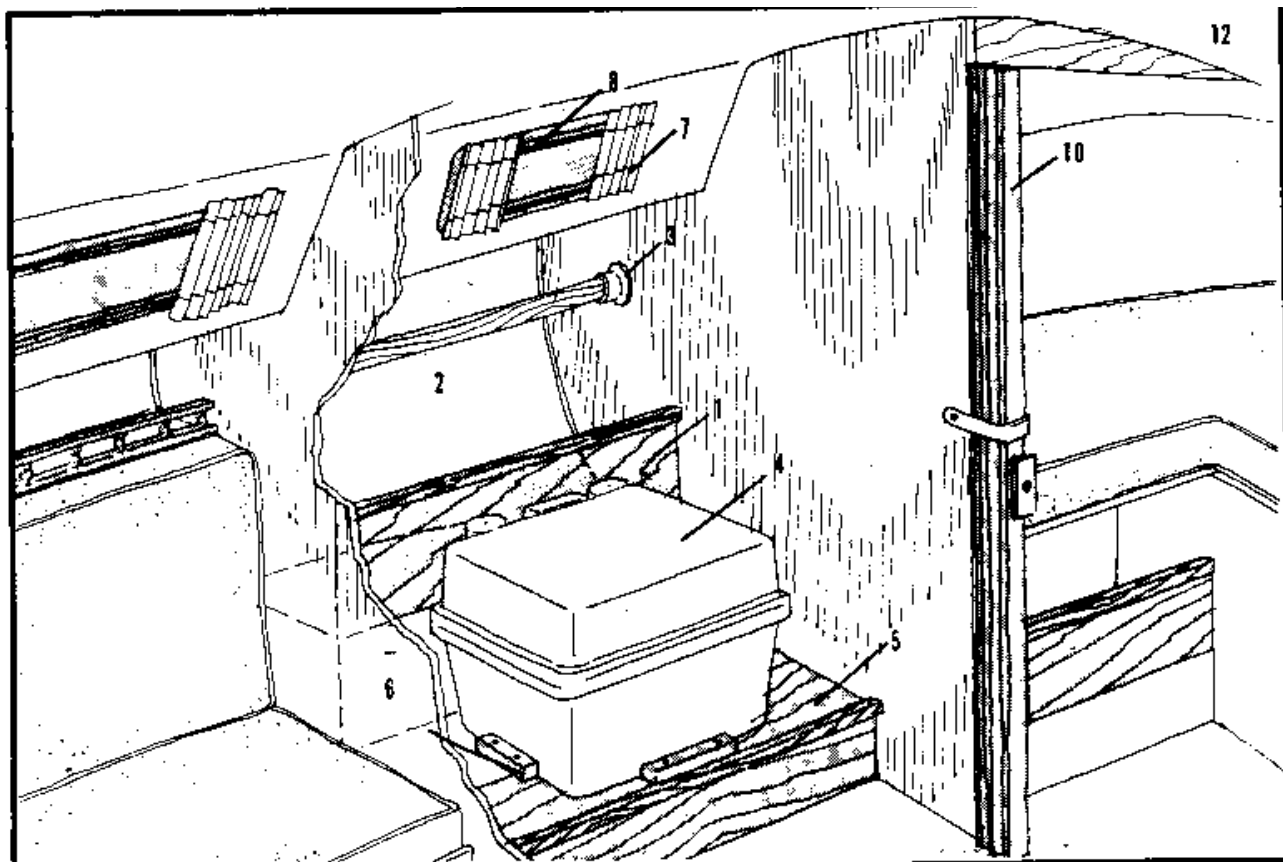
26.



Ref.	Part Number	Description	std	opt
-	E43 01 43 285	FOREPEAK BULKHEAD	1	
	E43 01 43F	FASTENER KIT: (4) #10 x 1 1/4" SLOT. OHSMS, S.S. (4) #10 FINISH WASHER, S.S.	1	
2	E43 01 49 285	FOREPEAK HATCH	1	
3	E46 01 01 285	5'-6" HULL DECK INTERFACE	2	
	E46 01 01F	FASTENER KIT: (3) #10 x 1" SLOT. OHSMS, S.S. (3) #10 FINISH WASHER, S.S.	2	
4	E43 01 05 285	STORAGE PANEL	1	
	E43 01 05F	FASTENER KIT: (4) #10 x 1 1/4" SLOT. OHSMS, S.S. (4) #10 FINISH WASHER, S.S.	1	
5	E43 01 25 285	STARBOARD FORWARD BULKHEAD	1	
	E43 01 25F	FASTENER KIT: (6) #10 x 1 1/4" SLOT. OHSMS, S.S. (6) #10 FINISH WASHER, S.S.	1	
6	E43 01 33 285	PORT FORWARD BULKHEAD	1	
	E43-01 33F	FASTENER KIT: (9) #10 x 1 1/4" SLOT. OHSMS, S.S. (9) #10 FINISH WASHER, S.S.	1	
	E43 01 34 285	FILLER SUPPORT CLEAT, ON PORT FORWARD BULKHEAD	1	
	E43 01 34F	FASTENER KIT: (2) #10 x 1 1/4" SLOT. OHSMS, S.S. (2) #10 FINISH WASHER, S.S.	1	
		REFER TO PAGES # 25, 26 FOR CUSHIONS AND SEAT HATCH BOARDS		

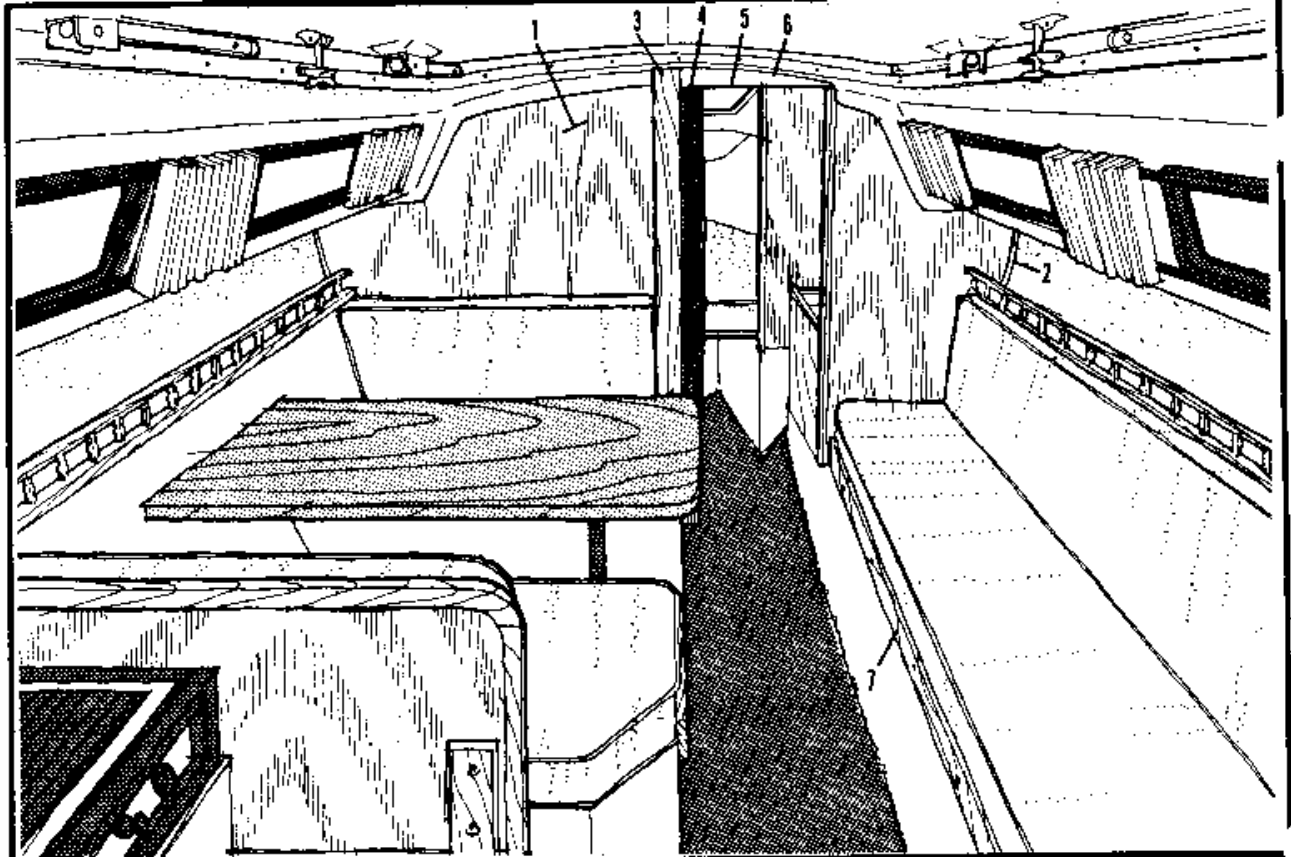


Ref.	Part Number	Description	std	op.
1	E43 01 01 285 E43 01 01F	STARBOARD MAIN CABIN BULKHEAD FASTENER KIT: (5) #10 x 1 1/4" SLOT. OHSMS, S.S. (5) #10 FINISH WASHER, S.S. (2) 3/8"-16 x 2" SLOT. FHMS, S.S. (2) 3/8" FLAT, LOCK WASHER, S.S. (2) 3/8"-16 HEX NUT, S.S. (2) #14 FINISH WASHER, S.S.	1	1
2	E44 01 01 285 E44 01 01F	VANITY COUNTER TOP FASTENER KIT: (7) #10 x 2" SLOT. OHSMS, S.S. (7) #10 FINISH WASHER, S.S.	1	1
3	E44 01 03 285 E44 01 03F	VANITY COUNTER PANEL FASTENER KIT: (6) #10 x 1 1/4" SLOT. OHSMS, S.S. (6) #10 FINISH WASHER, S.S.	1	1
4	E44 01 05 734 E44 01 05F E44 01 07 734	SINK, S.S. FASTENER KIT: (4) JIFFY CLAMP, S.S. SINK STOPPER, S.S.	1	1 1 1
5	E46 03 12 285 E46 03 12F	22" PINRAIL SHELF FASTENER KIT: (3) #10 x 2" SLOT. OHSMS, S.S. (3) #10 FINISH WASHER, S.S.	1	1
	E44 01 00 100	BASIN AND VANITY COUNTER ASSEMBLY, COMPLETE W/ PLUMBING		1
6	E46 01 09 285 E46 01 09F	22" HULL DECK INTERFACE FASTENER KIT: (2) #10 x 1" SLOT. OHSMS, S.S. (2) #10 FINISH WASHER, S.S.	2	2

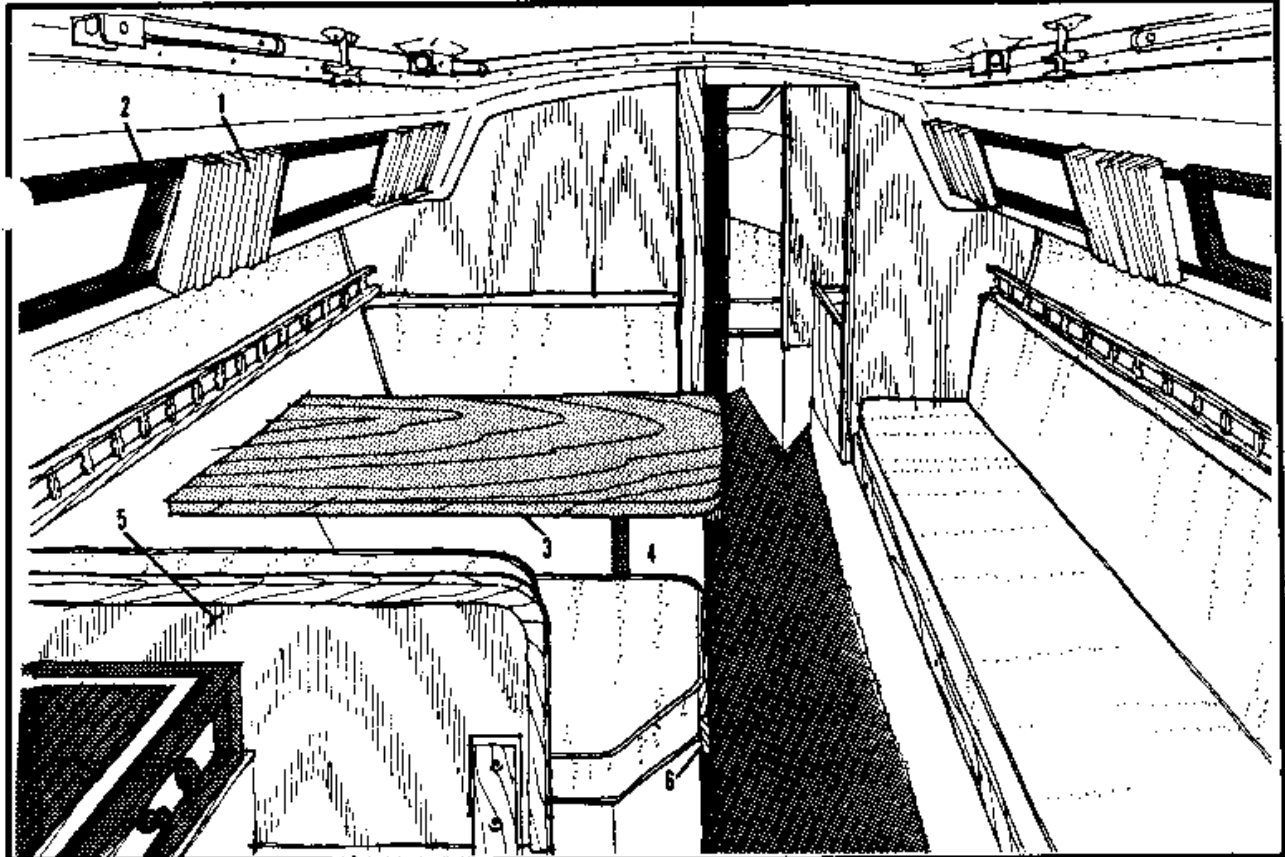


Ref.	Part Number	Description	std	opt
1	E43 03 00 100	HANGING LOCKER ASSEMBLY, COMPLETE	1	
	E43 03 17 285	HANGING LOCKER PANEL	1	
	E43 03 17F	FASTENER KIT: (6) #10 x 1 1/4" SLOT. OHSMS, S.S. (6) #10 FINISH WASHER, S.S.	1	
2	E43 03 13 285	HANGING LOCKER DOWEL, 23 1/2"	1	
3	E43 03 15 285	DOWEL SOCKET, WHITE PLASTIC	2	
	E43 03 15F	FASTENER KIT: (1) #10 x 1/2" SLOT. OHSMS, S.S.	2	
4	E68 01 100	PORTABLE HEAD ASSEMBLY, COMPLETE		1
	E68 01 01 785	PORTABLE HEAD		1
5	E68 01 03 285	PORTABLE HEAD SHELF, TEAK		1
	E68 01 03F	FASTENER KIT: (8) #10 x 1 1/4" SLOT. OHSMS, S.S. (8) #10 FINISH WASHER, S.S.		1
6	E68 01 05 285	PORTABLE HEAD CLEAT, TEAK		4
	E68 01 05F	FASTENER KIT: (2) #10 x 1 1/2" SLOT. OHSMS, S.S.		4
7	E42 01 02 390	FORWARD WINDOW CURTAIN		4
8	E42 01 06 390	CURTAIN RACE, W/END STOP FOR FORWARD WINDOWS		4
9	E42 01 07 390	CURTAIN CLIP		8
10	E42 05 01 170	FORWARD CABIN SLIDING DOOR, VINYL		1
	E42 05 01F	FASTENER KIT: (4) #10 x 1" SLOT. OHSMS, S.S. (4) #10 FINISH WASHER, S.S.		1
11	E42 05 03 170	DOOR TRACK, BROWN ANODIZED ALUMINUM		1
	E42 05 03F	FASTENER KIT: (3) #6 x 1 1/2" SLOT. PHSMS, S.S.		1
12	E42 05 05 285	DOOR TRACK BACKING, TEAK		1
	E42 05 05F	FASTENER KIT: (2) #6 x 2" SLOT. PHSMS, S.S.		1
13	E42 05 07 677	MALE BUTTON, ON BULKHEAD		1
	E42 05 00 100	FORWARD CABIN SLIDING DOOR, COMPLETE ASSEMBLY		1

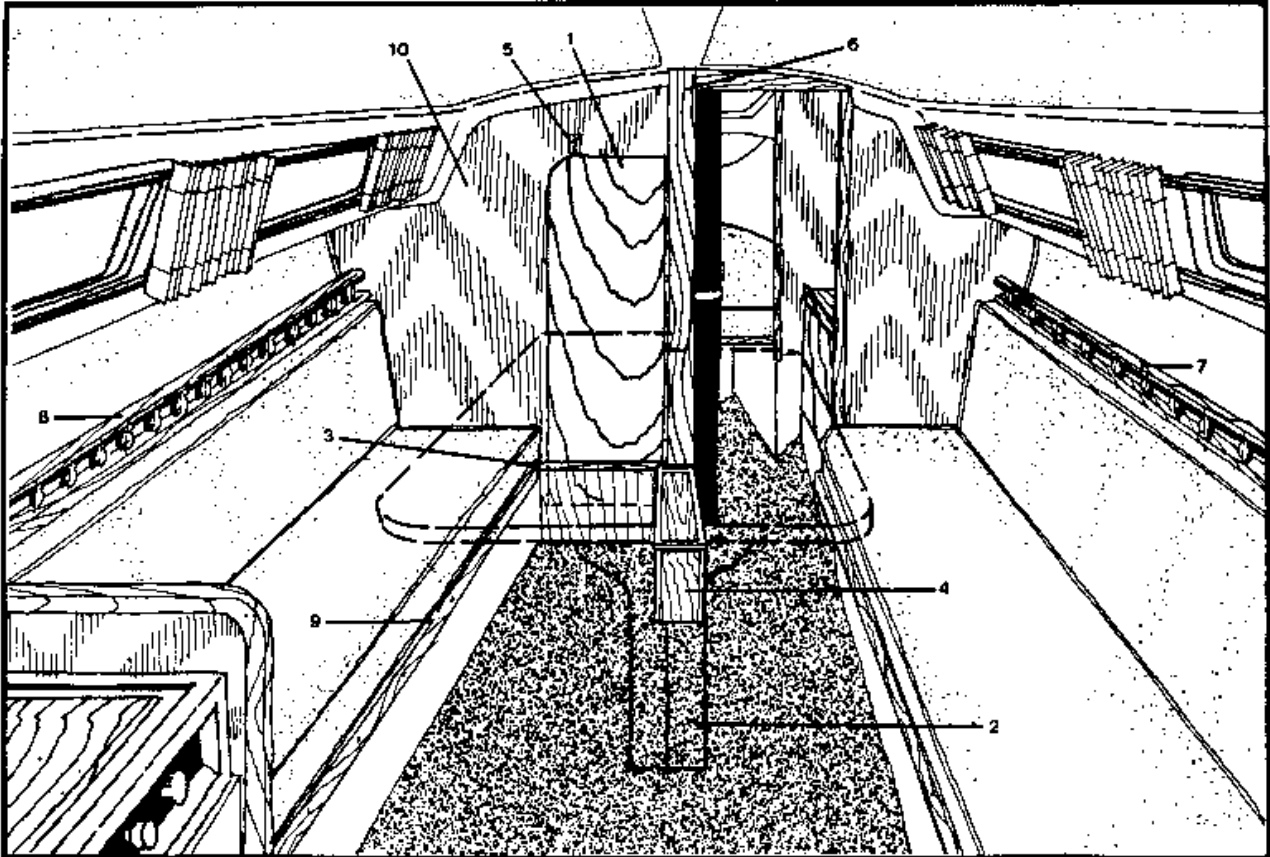




Ref.	Part Number	Description	std	opt
1	E43 01 02 285	PORT MAIN BULKHEAD	1	
	E43 01 02F	FASTENER KIT: (6) #10 x 1 1/4" SLOT. OHSMS, S.S. (6) #10 FINISH WASHER, S.S. (3) 3/8"-16 x 2" SLOT. FHMS, S.S. (3) 3/8" FLAT WASHER, S.S. (3) 3/8" LOCK WASHER, S.S. (3) 3/8"-16 HEX NUT, S.S. (3) #14 FINISH WASHER, S.S.	1	
2	E43 01 75 100	BATTING, BROWN VINYL SHEATH, SPECIFY LENGTH	1	
	E43 01 19 285	PORT MAIN BULKHEAD TRIM	1	
	E43 01 19F	FASTENER KIT: (5) #10 x 2" SLOT. OHSMS, S.S. (5) #10 FINISH WASHER, S.S.	1	
3	E43 02 01 285	COMPRESSION POST	1	
4	E42 03 01 170	MAIN CABIN SLIDING DOOR, VINYL		1
	E42 03 01F	FASTENER KIT: (4) #10 x 1 1/4" SLOT. OHSMS, S.S. (4) #10 FINISH WASHER, S.S.		1
5	E42 03 03 170	DOOR TRACK, BROWN ANODIZED ALUMINUM		1
	E42 03 03F	FASTENER KIT: (4) #8 x 3/4" PHIL. PHSMS, S.S.		1
6	E42 03 05 285	DOOR TRACK BACKING, TEAK		1
	E42 03 05F	FASTENER KIT: (3) #10 x 1 1/4" SLOT. OHSMS, S.S. (3) #10 FINISH WASHER, S.S.		1
	E42 03 07 677	MALE BUTTON, ON BULKHEAD		1
	E42 03 00 100	MAIN CABIN SLIDING DOOR, COMPLETE ASSEMBLY		1
	E46 01 17 285	FORWARD DINETTE SEAT TRIM, 17 3/4"	1	
	E46 01 17F	FASTENER KIT: (3) #10 x 1" SLOT. OHSMS, S.S. (3) #10 FINISH WASHER, S.S.	1	
7	E46 01 13 285	STARBOARD SETTEE SEAT TRIM, TEAK		1
		FASTENER KIT: (4) #10 x 1" PHILLIPS, OHSMS, S.S.		1



Ref.	Part Number	Description	std	opt
	E42 01 01 390	MAIN CABIN CURTAIN		4
	E42 01 03 390	SNAP RETAINER		4
2	E42 01 05 390	CURTAIN TRACK W/END STOPS, FOR MAIN CABIN		4
	E42 01 07 390	CURTAIN CLIP		8
	E42 01 00 100	COMPLETE CURTAIN SET W/HARDWARE		1
3	E44 04 01 450	DINETTE INTERIOR TABLE TOP	1	
4	E44 04 03 735	TABLE LEG	1	
	E44 04 03F	FASTENER KIT: (4) #6 x 1/2" PHIL. PHSMS, S.S.	1	
	E44 04 05 255	MALE BRACKET, ON TABLE	2	
	E44 04 05F	FASTENER KIT: (4) #6 x 1/2" PHIL. PHSMS, S.S.	2	
	E44 04 07 255	FEMALE BRACKET, ON BULKHEAD	2	
	E44 04 07F	FASTENER KIT: (4) #10 x 1" SLOT. OHSMS, S.S.	2	
	E44 04 00 100	DINETTE INTERIOR TABLE, COMPLETELY ASSEMBLED	1	
5	E43 01 57 285	AFT DINETTE SEAT PANEL	1	
	E43 01 57F	FASTENER KIT: (6) #10 x 1" SLOT. OHSMS, S.S.	1	
		(6) #10 FINISH WASHER, S.S.		
		(2) 3/8"-16 x 1 1/2" SLOT. FHMS, S.S.		
		(2) 3/8" FLAT WASHER, S.S.		
		(2) 3/8" LOCK WASHER, S.S.		
		(2) 3/8"-16 HEX NUT, S.S.		
		(2) #14 FINISH WASHER, S.S.		
6	E46 01 21 285	13" AFT DINETTE SEAT TRIM	1	
	E46 01 21F	FASTENER KIT: (3) #10 x 1" SLOT. OHSMS, S.S.	1	
		(3) #10 FINISH WASHER, S.S.		
	E46 01 25 285	MAIN CABIN HULL-DECK INTERFACE, 8'-0"	1	
	E46 01 25F	FASTENER KIT: (4) #10 x 1" SLOT. OHSMS, S.S.	1	
		(4) #10 FINISH WASHER, S.S.		



STD OPT

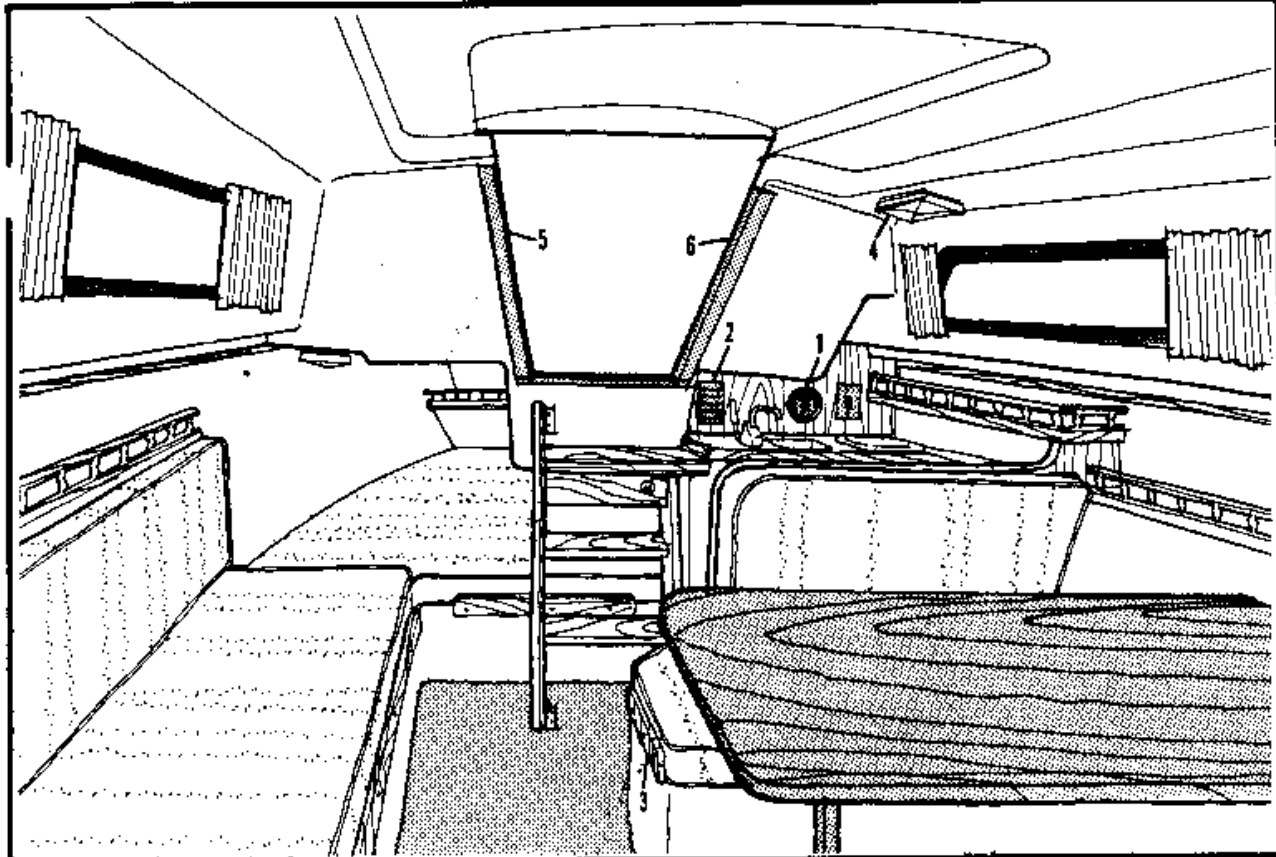
1.	E41 03 01 450	Traditional table top w/(2) leaves	1
2.	E41 03 02 285	Hinged table leg	1
	E41 03 02F	Fastener kit: (4) #6 x 1/2" phil. F.H.M.S., S.S.	1
3.	E44 01 02 285	Table storage shelf, facia - Teak	1
	E44 01 02F	Fastener kit: (2) 1/2" - 20 x 2" slot, F.H.M.S., S.S.	1
		(2) 1/2" flat washer, S.S.	
		(2) 1/2" lock washer, S.S.	
		(2) 1/2" - 20 Hex nut, S.S.	
4.	E44 02 01 285	Center board trunk cover box	1
5.	E44 01 03 722	Barrel bolt	1
6.	E44 01 04 285	Compression post (traditional interior)	1
7.	E46 04 01 285	77" Starboard main cabin pinrail, Teak	1
8.	E46 04 02 285	64" Port main cabin pinrail, Teak	1
	E46 04 02F	Fastener kit: (3) #10 x 1" slot, O.H.M.S., S.S.	1
		(3) # finish washer, S.S.	
9.	E46 04 03 285	Port settee seat trim, Teak	1
	E46 04 03F	Fastener kit: (4) #10 x 1" phil. O.H.M.S., S.S.	1
10.	E44 01 01 285	Port main bulkhead (traditional model)	1
	E44 01 01F	Fastener kit: (6) #10 x 1 1/2" slot, O.H.M.S., S.S.	1
		(6) #10 finish washer, S.S.	
		(3) 3/8" - 16 x 2"	
		(3) 3/8" flat washer, S.S.	
		(3) 3/8" lock washer, S.S.	
		(3) 3/8" - 16 hex nut, S.S.	
		(3) #14 finish washer, S.S.	

**Catalina 25**

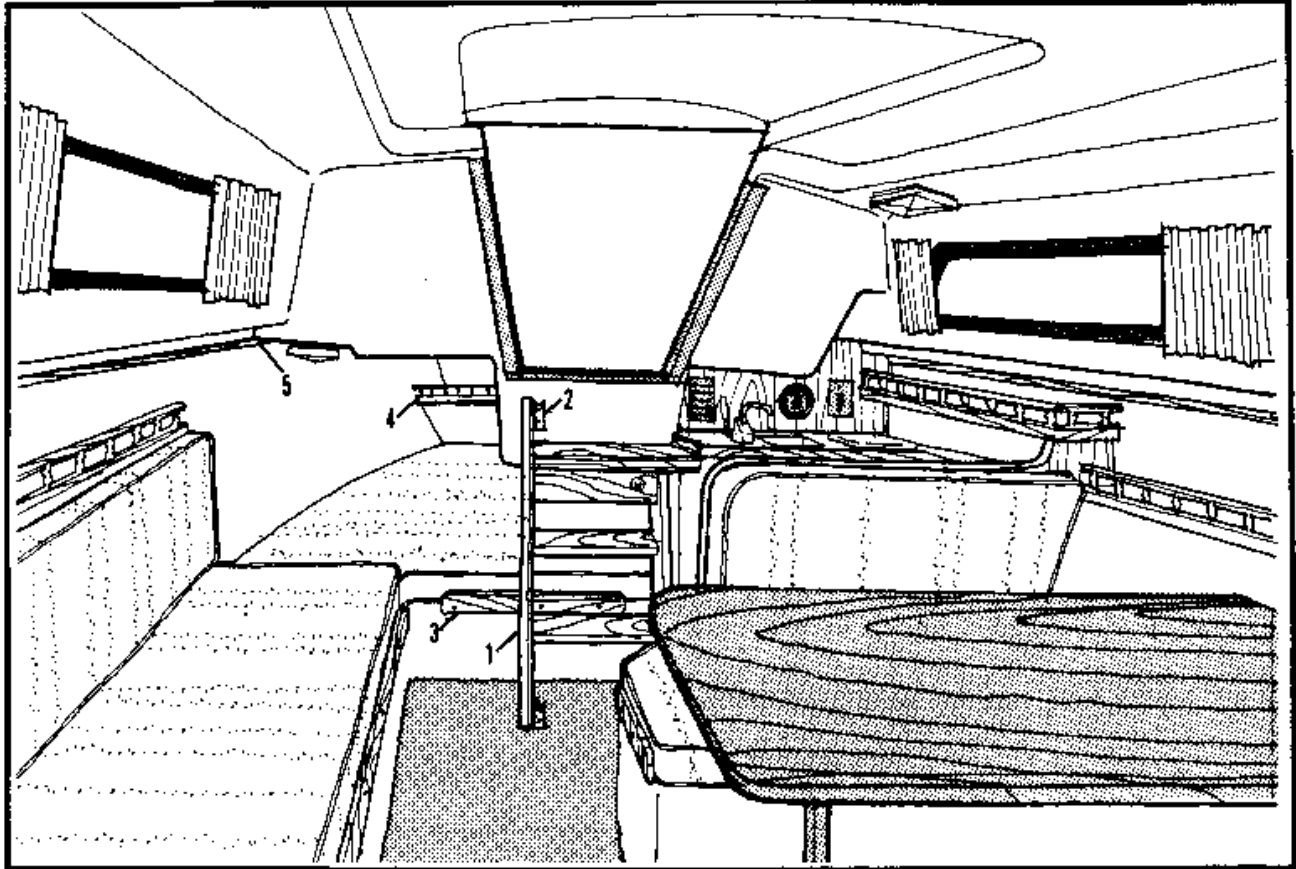
**PARTS  
CATALOGUE**

INTERIOR TRADITIONAL MODEL

32



Ref.	Part Number	Description	std	opt
	E73 01 03 287	MARINE GRADE 12 VOLT BATTERY	1	1
	E73 01 01 712	BATTERY BOX W/HOLD DOWN STRAP, PLASTIC	1	1
	E73 01 08 097	RED 7'-0" #10 GAUGE WIRE W/CONNECTOR	1	1
	E73 01 10 097	BLACK 7'-0" #10 GAUGE WIRE W/CONNECTOR	1	1
1	E73 01 05 497	BATTERY SELECTOR SWITCH	1	1
	E73 01 05F	FASTENER KIT: (4) #8 x 3/4" PHIL. PHSMS, S.S.	1	1
	E73 01 00 100	EXTRA BATTERY AND BOX, COMPLETE ASSEMBLY	1	1
2	E70 04 00 490	DC MAIN PANEL	1	1
	E70 04 00F	FASTENER KIT: (5) #8 x 3/4" PHIL. PHSMS, S.S.	1	1
3	E46 01 13 285	6'-0" SETTEE TRIM, TEAK	1	1
	E46 01 13F	FASTENER KIT: (5) #10 x 1" SLOT. OHSMS, S.S.	1	1
		(5) #10 FINISH WASHER, S.S.		
4	E78 01 01 820	CABIN LIGHT	5	5
	E78 01 01F	FASTENER KIT: (4) #10 x 1" PHIL. PHSMS, S.S.	5	5
5	E26 03 39 285	STARBOARD INTERIOR COMPANIONWAY TRIM, TEAK	1	1
6	E26 03 41 285	PORT INTERIOR COMPANIONWAY TRIM, TEAK	1	1
	E26 03 39 41F	FASTENER KIT: (5) #10 x 2" SLOT. OHSMS, S.S.	2	2



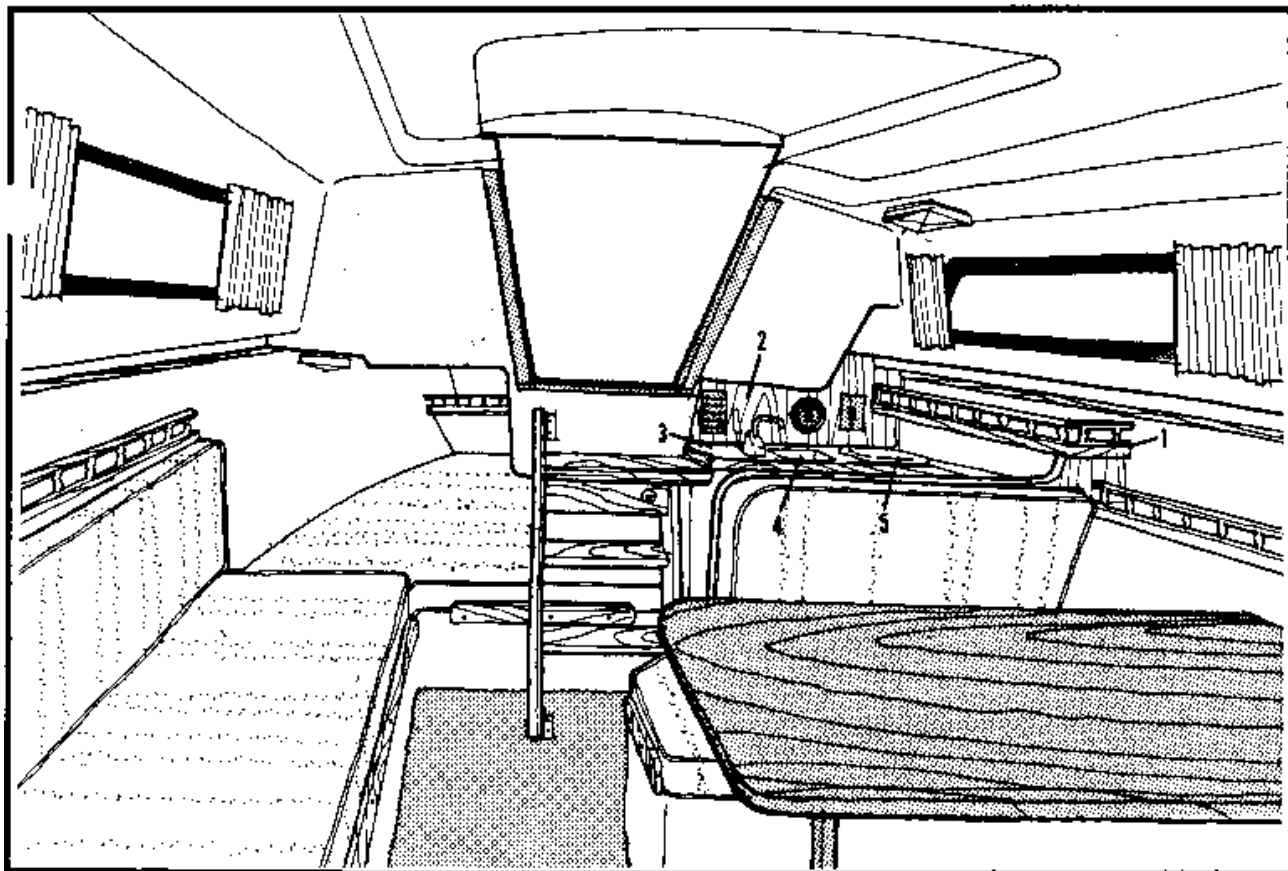
Ref.	Part Number	Description	std.	opt
1	E43 04 01 285	LADDER, FOR RETRACTABLE KEEL MODEL	1	
	E43 04 03 285	LADDER, FOR FIXED KEEL MODEL	1	
	E43 04 05 044	LADDER STEP PAD	4	
2	E43 04 07 900	3-3/4" ANGLE BRACKET, BROWN ANODIZED ALUMINUM	3	
	E43 04 07F	FASTENER KIT: (2) 1/4"x1-1/4" LAG BOLT		
		(1) #10-24x1-1/2" SLOT.FHMS, S.S.		
		(1) #10 FINISH WASHER, S.S.		
		(1) #10 FLAT WASHER, S.S.		
		(1) #10 LOCK WASHER, S.S.		
		(1) #10-24 CAP HEX NUT, S.S.		
		(2) #10x2" SLOT.OHSMS, S.S.		
		(2) #10 FINISH WASHER, S.S.		
3	E46 01 29 285	18" QUARTERBERTH TRIM, TEAK	1	
	E46 01 29F	FASTENER KIT: (3) #10x1-1/4" SLOT.OHSMS, S.S.	1	
		(3) #10 FINISH WASHER, S.S.		
4	E46 03 07 285	21" QUARTERBERTH PINRAIL, TEAK	1	
	E46 03 07F	FASTENER KIT: (2) #10x1-1/4" SLOT.OHSMS, S.S.	1	
		(2) #10 FINISH WASHER, S.S.		
5	E46 01 30 285	76" QUARTERBERTH HULL-DECK INTERFACE, TEAK	1	
	E46 01 30F	FASTENER KIT: (4) #10x1" SLOT.OHSMS, S.S.	1	
		(4) #10 FINISH WASHER, S.S.		
	E43 01 60 285	QUARTERBERTH BULKHEAD	1	
	E43 01 60F	FASTENER KIT: (5) #10x1-1/4" SLOT.OHSMS, S.S.	1	
		(5) #10 FINISH WASHER, S.S.		

*Catalina*  
Yachts

**25** PARTS  
CATALOGUE

INTERIOR  
LADDERS, QUARTERBERTH

34.



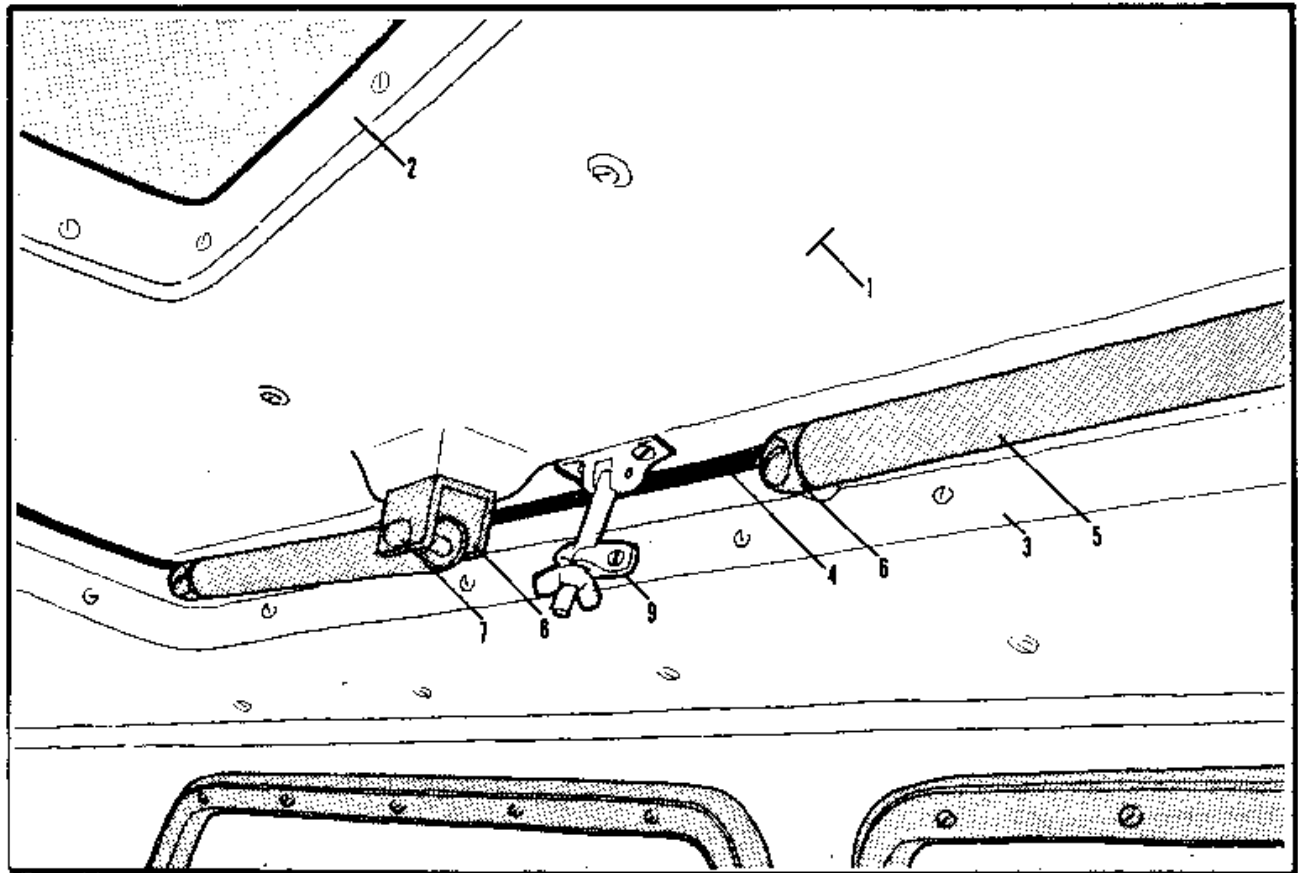
Ref.	Part Number	Description	std.	opt
	E45 03 00 100	GALLEY ASSEMBLY, COMPLETE	1	
1	E46 03 15 285	GALLEY PINRAIL SHELF	1	
	E46 03 15F	FASTENER KIT: (4) #10x1-1/4" SLOT.OHSMS,S.S.	1	
		(4) #10 FINISH WASHER,S.S.		
2	E43 01 67 285	GALLEY BULKHEAD	1	
	E43 01 67F	FASTENER KIT: (5) #10x1-1/4" SLOT.OHS,S.S.	1	
		(5) #10 FINISH WASHER,S.S.		
3	E45 03 01 285	COUNTER, TEAK	1	
	E45 03 01F	FASTENER KIT: (6) #10x1-1/4" SLOT.OHSMS,S.S.	1	
		(3) #10 FINISH WASHER,S.S.		
	E45 03 03 100	ICE BOX, FIBERGLASS, BONDED TO LINER	1	
4	E45 03 05 285	ICE BOX LID	1	
	E45 03 07 260	PULL RING, ON ICE BOX LID	1	
	E45 03 07F	FASTENER KIT: (4) #4 x 5/8" SLOT. OHSMS,S.S.	1	
5	E45 03 09 734	SINK, S.S.	1	
	E45 03 09F	FASTENER KIT: (4) JIFFY CLAMP, S.S.	1	
	E45 03 11 734	SINK STOPPER	1	
	E45 05 00 285	2 DRAWERS W/FRAME, UNDER SINK, IN LIEU OF ACCESS DOOR		1
	E45 05 00F	FASTENER KIT: (6) #10x1-1/4" SLOT.OHSMS,S.S.		1
		(6) #10 FINISH WASHER,S.S.		
	E43 06 00 285	1 DRAWER W/FRAME, UNDER STOVE, IN LIEU OF ACCESS DOOR		1
	E43 06 00F	FASTENER KIT: (6) #10x1-1/4" SLOT.OHSMS,S.S.		1
		(6) #10 FINISH WASHER,S.S.		
	E45 03 13 285	ACCESS DOOR W/FRAME, BENEATH SINK AND STOVE	2	
	E45 03 13F	FASTENER KIT: (6) #10x1-1/4" SLOT.OHSMS,S.S.	2	
		(6) #10 FINISH WASHER,S.S.		
	E44 08 00 580	2 BURNER GIMBALLED STOVE W/CUTTING BOARD		1
	E44 08 00F	FASTENER KIT: (4) #6 x 1" SLOT. OHS, S.S.		1

**Catalina**  
Vesta

**25 PARTS  
CATALOGUE**

INTERIOR  
GALLEY

35.



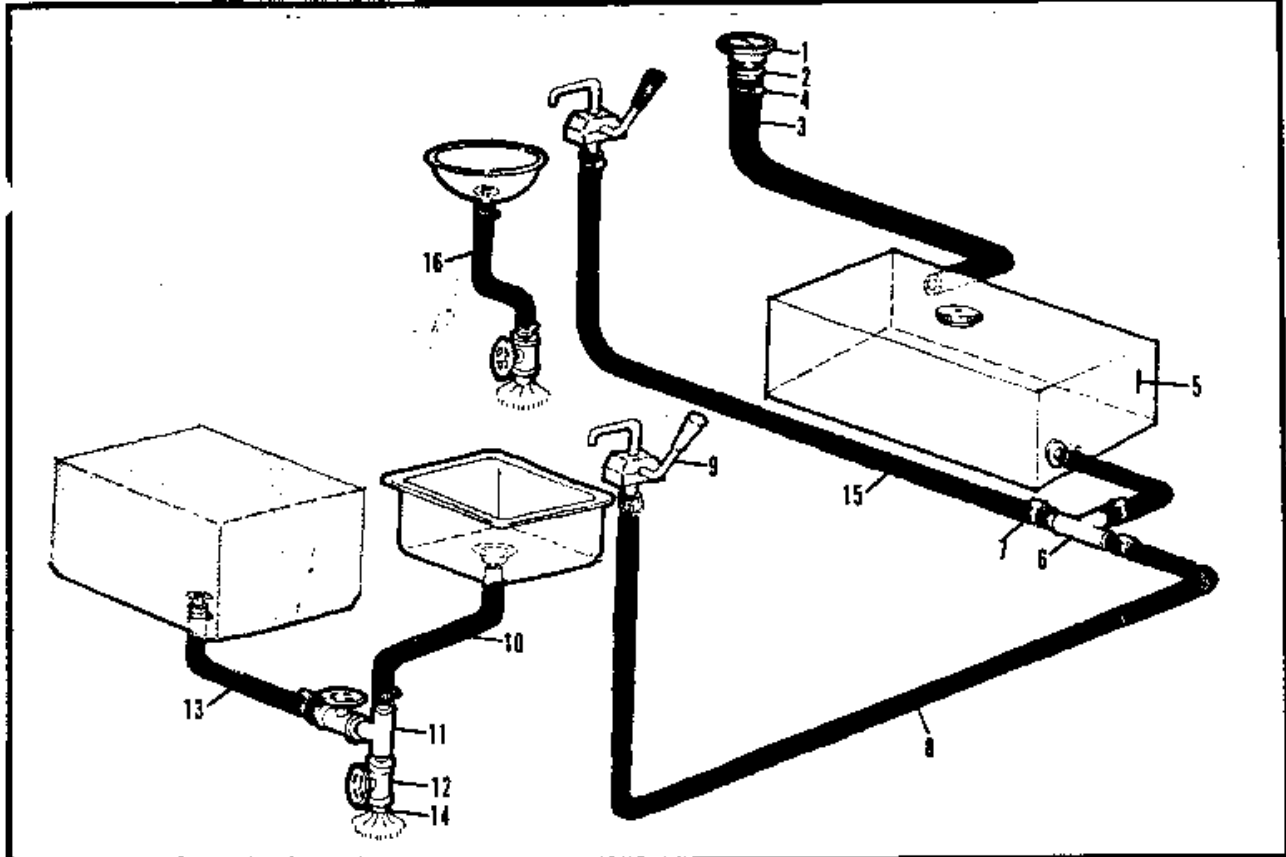
Ref.	Part Number	Description	std.	opt
1	E26 07 01 100	POP TOP, FIBERGLASS		1
2	E26 03 51 012	MOLDING TRIM, WHITE VINYL, 86"	1	
	E26 03 51F	FASTENER KIT: (18) #8 x 3/4" PHIL.PHSMS,S.S.	1	
3	E26 07 03 012	MOLDING TRIM, WHITE VINYL, 86-1/2"		2
	E26 07 03F	FASTENER KIT: (13) #8 x 3/4" PHIL.PHSMS,S.S.		2
4	E26 07 05 920	GASKET TAPE, 1/4" x 1/2" x 180"	1	
5	E26 07 07 900	12-1/2" POP TOP SUPPORT TUBE, S.S.	4	
	E26 07 07F	FASTENER KIT: (1) #8 x 3/4" PHIL.PHSMS,S.S.	4	
6	E26 07 09 900	POP TOP SUPPORT TUBE, PLUG, ALUMINUM	4	
	E26 07 09F	FASTENER KIT: (1) 3/8"-16 x 2" SLOT.RHMS,S.S.	4	
	E26 07 11 900	POP TOP BUSHING, TEFLON	4	
7	E26 07 13 900	POP TOP ROUND HEAD PIVOT PIN, 5/16" x 1-1/2"	4	
	E26 07 15 740	COTTER PIN, 3/32" x 1", FOR PIVOT PIN	4	
8	E26 07 17 900	POP TOP CHANNEL, ALUMINUM	4	
	E26 07 17F	FASTENER KIT: (2) #8 x 3/4" PHIL.PHSMS,S.S.	4	
9	E26 07 19 613	HATCH DOG AND CLASP, CHROME PLATED	2	
	E26 07 19F	FASTENER KIT: (2) #8 x 3/4" PHIL.PHSMS,S.S.	2	
		(2) #10-24x2" SLOT.OHSMS,S.S.		
		(2) #10 FINISHED WASHER,S.S.		
		(2) #10 FLAT WASHER,S.S.		
		(2) #10 LOCK WASHER,S.S.		
		(2) #10 HEX NUT,S.S.		
		(2) #10-24 CAP HEX NUT, S.S.		
	E26 07 00 100	POP TOP ASSEMBLY, COMPLETE		1

*Catalina*  
Yachts

**25** PARTS  
CATALOGUE

INTERIOR  
POP TOP ASSEMBLY

36.

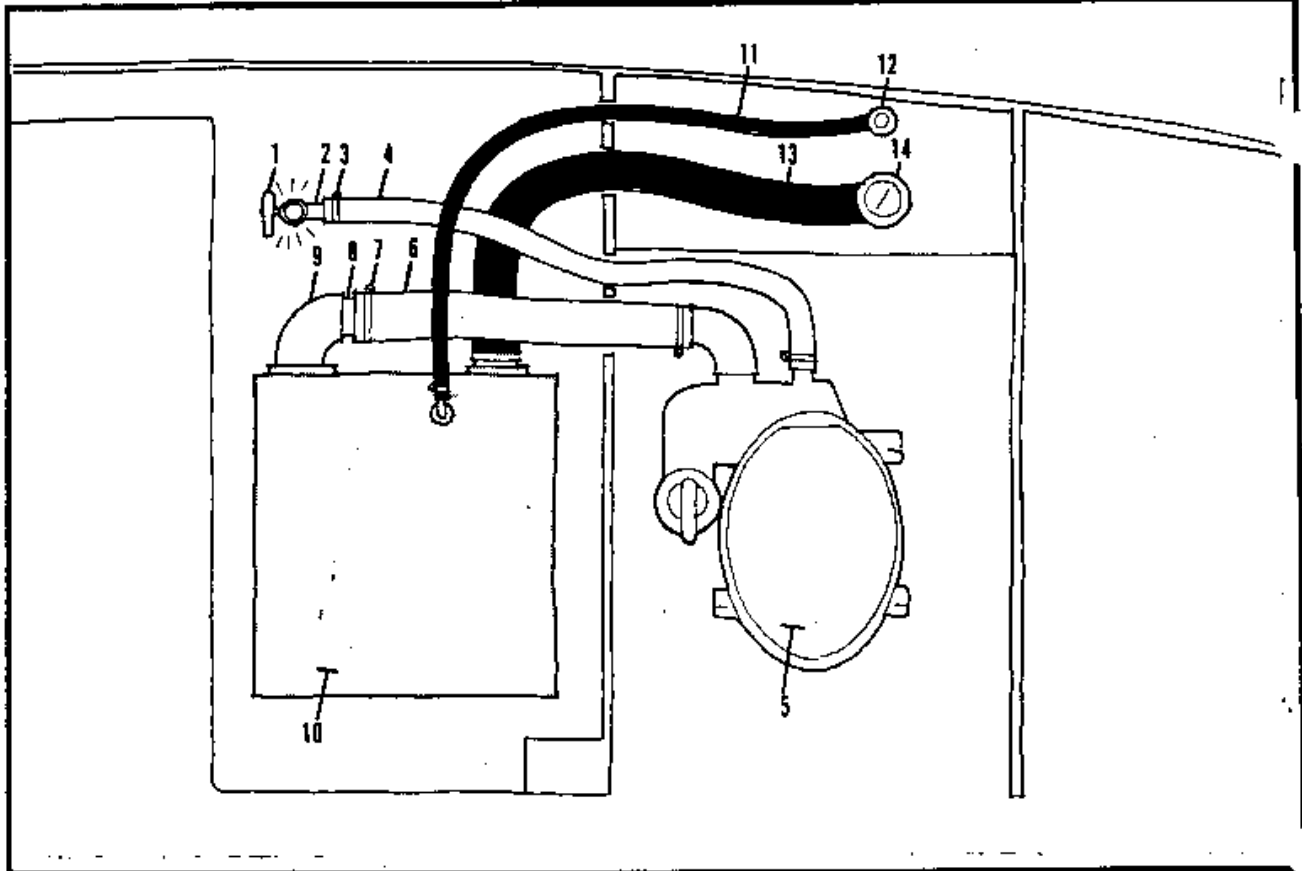


Ref.	Part Number	Description	std.	opt
1	E63 01 01 497	1-1/2" I.D. WATER FILL PLATE	1	
	E63 01 01F	FASTENER KIT: (4) #10x3/4" SLOT. OHSMS, S.S.	1	
2	E63 01 03 330	1-1/2" MPT 3/4" FPT HEX BUSHING	1	
	E63 01 05 330	3/4" FPT x 3/4" BARBED ADAPTOR	2	
3	E63 01 07 035	3/4" I.D. x 6'-6" WATER FILL HOSE, CLEAR VINYL TUBING	1	
4	E63 01 09 519	#8 HOSE CLAMPS, S.S.	6	2
	E63 01 11 295	CABLE TIE DOWN, WHITE PLASTIC	4	4
	E63 01 11F	FASTENER KIT: (1) #6x1/4" SLOT. PHSMS, S.S.		
	E63 01 13 295	3/4" BARBED x 1/2" MPT ADAPTOR	2	1
5	E63 01 15 695	16 U.S. GALLON WATER TANK W/CAP	1	
	E63 01 16 330	1/2" MPT x 1/2" BARBED ADAPTOR	1	
6	E63 01 19 330	1/2" BARBED T	1	
7	E63 01 21 519	#6 HOSE CLAMPS, S.S.	2	2
8	E63 01 23 035	1/2" I.D. x 8'-0" WATER TANK TO GALLEY FAUCET HOSE, CLEAR VINYL TUBING	1	
9	E63 01 47 734	HAND PUMP FAUCET	1	1
10	E63 01 31 035	3/4" I.D. x 3'-6" GALLEY SINK DRAIN HOSE, CLEAR VINYL TUBING	1	
11	E63 01 39 330	1/2" FPT T	1	
	E63 01 40 280	1/2" CLOSE NIPPLE	2	
12	E63 01 41 515	1/2" GATE VALVE	2	1
13	E63 01 32 030	3/4" I.D. x 9" ICE BOX DRAIN HOSE, CLEAR VINYL TUBING	1	
	E63 01 17 330	1/2" BARBED x 1/2" MPT ELBOW	1	
14	E63 01 37 900	1/2" x 2" HALF THREADED NIPPLE, BONDED THRU HULL	1	1
15	E63 01 45 035	1/2" I.D. x 8'-0" WATER TANK TO WASH BASIN HOSE, CLEAR VINYL TUBING	1	
16	E63 01 49 035	3/4" I.D. x 4'-0" WASH BASIN DRAIN HOSE, CLEAR VINYL TUBING	1	1
	E63 01 00 100	FRESH WATER PLUMBING SYSTEM, COMPLETE ASSEMBLY	1	

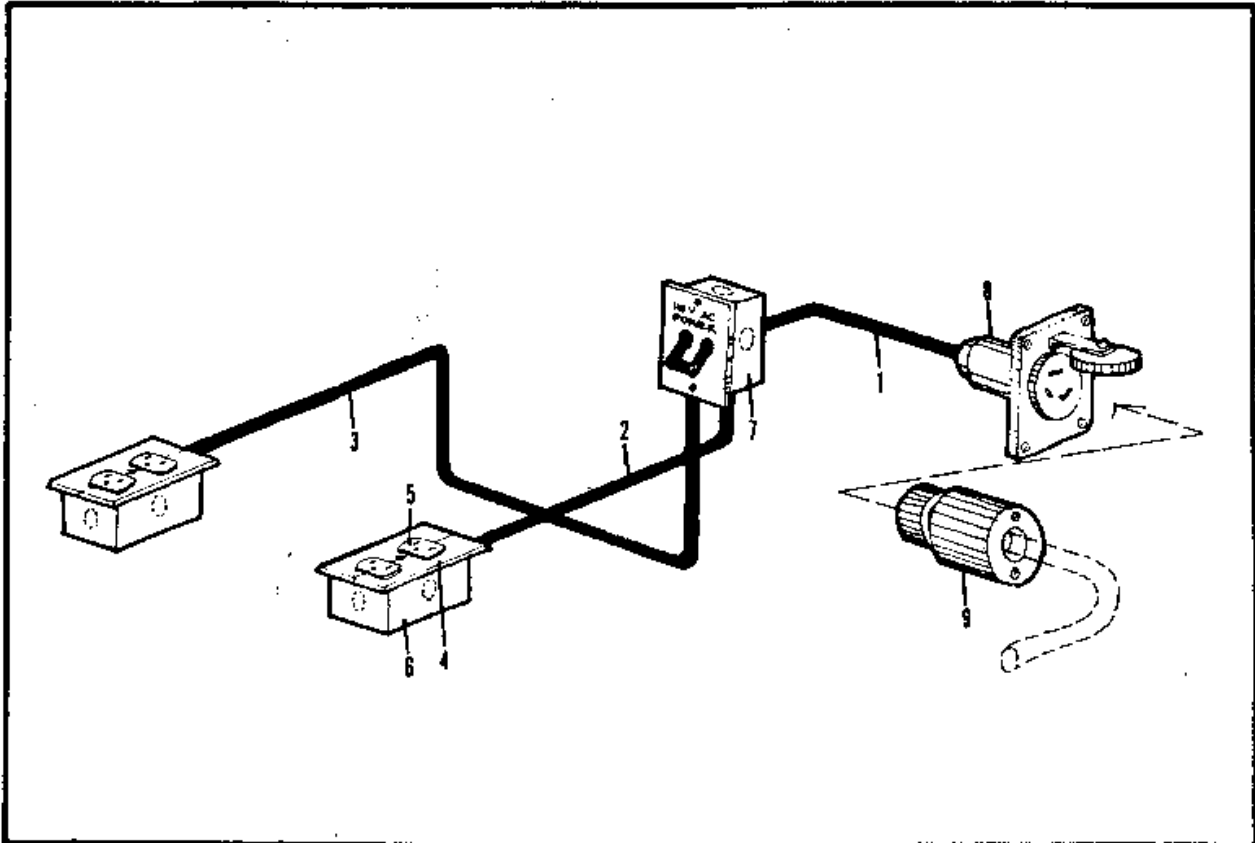
**Catalina** **25** PARTS CATALOGUE

PLUMBING FRESH WATER SYSTEM 37.





Ref.	Part Number	Description	std.opt
	E65 03 02 900	1/2"x2-1/2" NIPPLE, BONDED THRU HULL	1
1	E65 03 03 515	1/2" GATE VALVE	1
	E65 03 05 297	1/2" ST. ELBOW	1
2	E65 03 07 280	1/2" x 2-1/2" HALF THREADED NIPPLE	1
3	E65 03 09 519	#8 HOSE CLAMP, S.S.	4
4	E65 03 11 035	3/4" I.D. x 3'-0" CLEAR VINYL TUBING, HEAD INTAKE HOSE	1
5	E65 03 12 350	MARINE HEAD	1
	E65 03 12F	FASTENER KIT: (4) 1/4"x1" LAG BOLT, S.S. (4) 1/4" FLAT WASHER, S.S.	1
6	E65 03 15 335	1-5/8" I.S. x 3'-0" RUBBER TUBING, HEAD TO HOLDING, TANK HOSE	1
7	E65 03 17 519	#32 HOSE CLAMP, S.S.	6
8	E65 03 19 280	1-1/4"x3" HALF THREADED NIPPLE	1
9	E65 03 23 280	1-1/4" FPT 90° ELBOW	1
	E65 03 27 280	1-1/4" CLOSE NIPPLE	1
10	E65 03 31 695	HOLDING TANK 14 U.S. GALLON CAPACITY	1
	E65 03 35 297	3/4" MPT x 3/4" BARB ELBOW	1
11	E65 03 39 335	3/4" x 4'-6" HOLDING TANK VENT TUBING	1
12	E65 03 43 695	HOLDING TANK VENT	1
	E65 03 47 280	1-1/2" CLOSE NIPPLE	1
	E65 03 50 280	1-1/2" FPT 45° ELBOW	1
	E65 03 51 280	1-1/2"x2" HALF THREADED NIPPLE	2
13	E65 03 53 335	1-7/8" I.D. x 4'-6" WIRE REINFORCED PUMP OUT HOSE	1
14	E65 03 55 910	DECK PUMP OUT PLATE	7
	E65 03 55F	FASTENER KIT: (4) #10x3/4" SLOT.OHSMS, S.S.	1



Ref.	Part Number	Description	std.	opt
	E70 01 00 100	110 VOLT DOCKSIDE POWER ASSEMBLY, COMPLETE		1
1	E70 01 01 097	2'-0", #12, 3 CONDUCTOR NEOPRENE COATED WIRE		1
2	E70 01 02 097	12'-0", #12, 3 CONDUCTOR NEOPRENE COATED WIRE		1
3	E70 01 03 097	14'-0", #12, 3 CONDUCTOR NEOPRENE COATED WIRE		1
4	E70 01 04 490	110 VOLT RECEPTACLE COVER		2
	E70 01 04F	FASTENER KIT: (1) #8 x 1" SLOT. FHMS, S.S.		2
5	E70 01 05 004	110 VOLT DUPLEX OUTLET		2
6	E70 01 07 490	110 VOLT DUPLEX OUTLET JUNCTION BOX		2
7	E70 01 09 490	20 AMP CIRCUIT BREAKER		1
	E70 01 09F	FASTENER KIT: (2) #8 x 1" SLOT. FHMS, S.S.		1
	E70 01 11 490	BARRIER STRIP CONNECTOR, FOR GROUND		1
	E70 01 13 290	BARRIER STRIP JUMPER		1
8	E70 01 15 004	FEMALE DOCKSIDE CONNECTOR		1
	E70 01 15F	FASTENER KIT: (4) #10 x 1-1/4" SLOT. OHSMS, S.S.		1
9	E70 01 17 004	MALE DOCKSIDE CONNECTOR		1

*Catalina*  
Yacht

**25** PARTS  
CATALOGUE

ELECTRICAL  
110 VOLT DOCKSIDE POWER

39.

## INDEX

DESCRIPTION	PAGE NUMBER
<b>HULL AND DECK</b>	
Anchor Locker, Rub Rail .....	<u>(2)</u>
Blocks, Winches, Cleats .....	<u>(8)</u>
Bow Pulpit .....	<u>(1)</u>
Chain Plate Assembly .....	<u>(4)</u>
Cockpit Coaming Compartment .....	<u>(8)</u>
Cockpit Seat Hatch Assembly .....	<u>(9)</u>
Forward Hatch .....	<u>(3)</u>
Gudgeons .....	<u>(11)</u>
Handrails .....	<u>(4)</u>
Hull Identification Plate .....	<u>(9)</u>
Jib Track .....	<u>(5)</u>
Lifelines .....	<u>(8)</u>
Logo "Catalina 25" .....	<u>(8)</u>
Main Hatch Assembly .....	<u>(6)</u> , <u>(7)</u>
Mast Steps .....	<u>(4)</u>
Mooring Cleats .....	<u>(2)</u>
Pop Top Enclosure Curtain .....	<u>(5)</u>
Pop Top Hatch Assembly .....	<u>(36)</u>
Retractable Keel Assembly .....	<u>(13)</u>
Rub Rail Assembly .....	<u>(2)</u>
Rudder Assembly .....	<u>(12)</u>
Stanchions .....	<u>(4)</u>
Stern Pulpit .....	<u>(10)</u>
Tiller Assembly .....	<u>(12)</u>
Trailer Bow Eye .....	<u>(1)</u>
Traveler and Controls .....	<u>(10)</u>
Vents .....	<u>(10)</u>
Windows .....	<u>(5)</u>
<b>SPARS, RIGGING, SAILS</b>	
Boom Assembly .....	<u>(16)</u>
Boom Vang .....	<u>(19)</u>
Genoa Track .....	<u>(5)</u>
Jiffy Reefing .....	<u>(19)</u>
Mainsail Cover .....	<u>(20)</u>
Mast Assembly .....	<u>(14)</u> , <u>(15)</u> , <u>(16)</u>
Sails and Sheets .....	<u>(20)</u>
Spinnaker Gear .....	<u>(22)</u> , <u>(23)</u>
Split Backstay with Tension Adjuster	<u>(18)</u>
Standing Rigging .....	<u>(17)</u>
Tail Rig .....	<u>(21)</u>
Turnbuckles .....	<u>(1)</u>

INTERIOR

Bulkheads ..... (27), (30), (32)  
Carpeting ..... (25)  
Compression Post ..... (30), (32)  
Curtains ..... (28), (31)  
Cushions ..... (25), (26)  
Doors ..... (27), (30)  
Galley Unit ..... (35)  
Hanging Locker ..... (29)  
Hatch Lids ..... (24), (26)  
Interior Trim ..... (27), (28), (30), (32), (33), (34)  
Ladder ..... (34)  
Table ..... (31)  
Traditional Model ..... (32)  
Vanity ..... (28)

ENGINE

Outboard Bracket ..... (11)

PLUMBING

Bilge Pump Assembly ..... (9)  
Fresh Water System ..... (37)  
Marine and Portable Heads ..... (29), (38)  
Holding Tank Assembly ..... (38)

ELECTRICAL

Battery ..... (33)  
Cabin Lights ..... (33)  
Combination Red and Green Bow Lights ..... (1), (2)  
D.C. Panel ..... (33)  
Steaming Light ..... (15)  
Stern Light ..... (9), (10)  
110 Volt Dock Side Power ..... (39)